

SHERLE WAGNER INTERNATIONAL

MODERN WITH STONE INSERT ARCO LEVER WALL MOUNT FAUCET SET 008WBS-101-XXXX-XX



008WBS-101-BKOX-PN

PRODUCT FEATURES

- o Available in all Sherle Wagner International finishes
- o Solid brass/bronze construction
- o 1.0 gpm (3.8 L/min) flow rate
- o 8" C/C fixed spread
- o Includes lift & turn non-overflow waste assembly
- o Inwall fixed 8" C/C valves sold separately, contact sales associate for details
- o Refer to stone chart for standard stone insert, contact SWI representative for custom stone options
- o Optional: Strainer waste or Push pop waste assemblies available, contact SWI representative for details

AVAILABLE METAL FINISHES

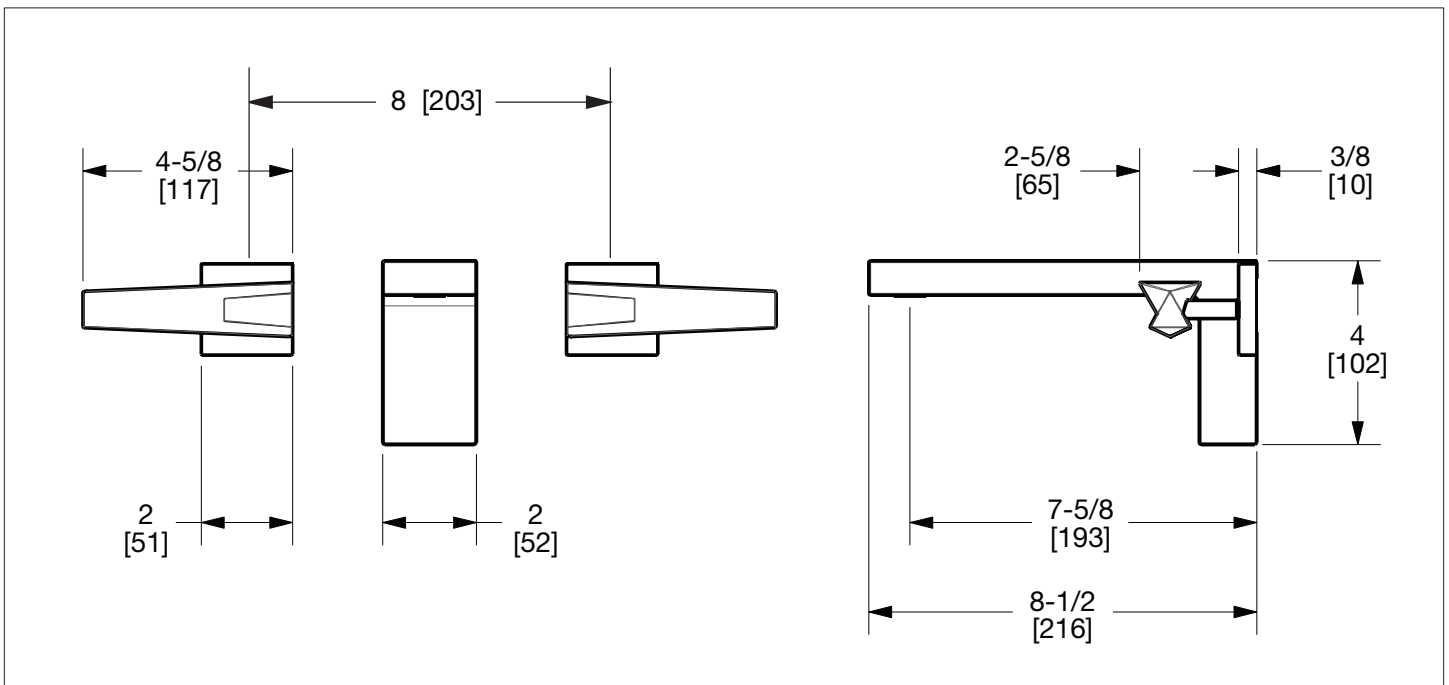
PN Polished Nickel	SB Satin Brass	GP Gold Plate	ES English Silver	BE Black Eclipse	SP Satin Platinum
CP Polished Chrome	OB Oil Rubbed Brass	AL Almond Gold	BS Butler Silver	BG Burnished Gold	HP High Polished Platinum
BN Brushed Nickel	PB Polished Brass	RG Rose Gold	AP Antique Pewter	AG Antique Gold	BP Burnished Platinum
BC Brushed Chrome					

AVAILABLE ONYX INSERTS

BKOX Black Onyx	WHOX White Onyx	HNOX Honey Onyx	PKOX Pink Onyx	GROX Green Onyx	BROX Brown Onyx
------------------------	------------------------	------------------------	-----------------------	------------------------	------------------------

AVAILABLE SEMIPRECIOUS INSERTS

RKCR Rock Crystal	AMET Amethyst	BRTI Brown Tiger Eye	MALA Malachite	JASP Jasper	RHOD Rhodochrosite
--------------------------	----------------------	-----------------------------	-----------------------	--------------------	---------------------------



The measurements shown are for reference only. Products and specifications shown are subject to change without notice.

REV A