

SHERLE WAGNER INTERNATIONAL

DOLPHIN LEVER VOLUME CONTROL AND DIVERTER TRIM LEFT HAND 0907LV-ESC-LH-XX



PRODUCT FEATURES

- o Available in all Sherle Wagner International finishes
- o Solid brass/bronze construction
- o Trim only used in conjunction with 1/2" or 3/4" ceramic cartridge volume control valves and Diverter valves
- o Valve sold separately, see sales representative for options
- o Includes stem extension

- o Required add-ons for installation: See sales representative
VLVE-1/2-LH or VLVE-1/2-RH 1/2" inwall valve
VLVE-3/4-LH or VLVE-3/4-RH 3/4" inwall valve

AVAILABLE METAL FINISHES

PN Polished Nickel
CP Polished Chrome
BN Brushed Nickel
BC Brushed Chrome

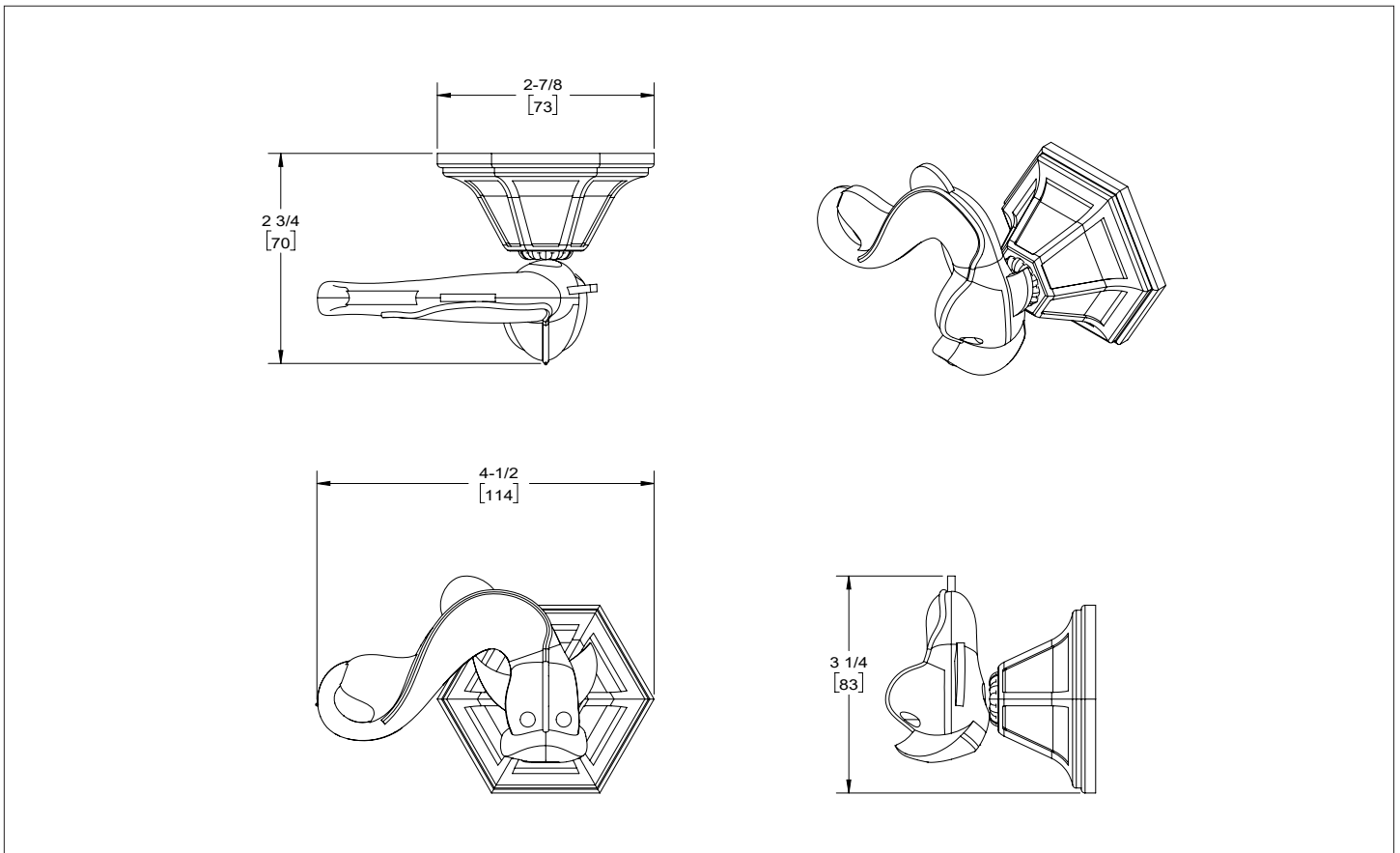
SB Satin Brass
OB Oil Rubbed Brass
PB Polished Brass

GP Gold Plate
AL Almond Gold
RG Rose Gold

ES English Silver
BS Butler Silver
AP Antique Pewter

BE Black Eclipse
BG Burnished Gold
AG Antique Gold

SP Satin Platinum
HP High Polished Platinum
BP Burnished Platinum



The measurements shown are for reference only. Products and specifications shown are subject to change without notice.

REV A

SHERLE WAGNER INTERNATIONAL

DOLPHIN LEVER VOLUME CONTROL AND DIVERTER TRIM RIGHT HAND 0907LV-ESC-RH-XX



PRODUCT FEATURES

- o Available in all Sherle Wagner International finishes
- o Solid brass/bronze construction
- o Trim only used in conjunction with 1/2" or 3/4" ceramic cartridge volume control valves and Diverter valves
- o Valve sold separately, see sales representative for options
- o Includes stem extension

- o Required add-ons for installation: See sales representative
VLVE-1/2-LH or VLVE-1/2-RH 1/2" inwall valve
VLVE-3/4-LH or VLVE-3/4-RH 3/4" inwall valve

AVAILABLE METAL FINISHES

PN Polished Nickel
CP Polished Chrome
BN Brushed Nickel
BC Brushed Chrome

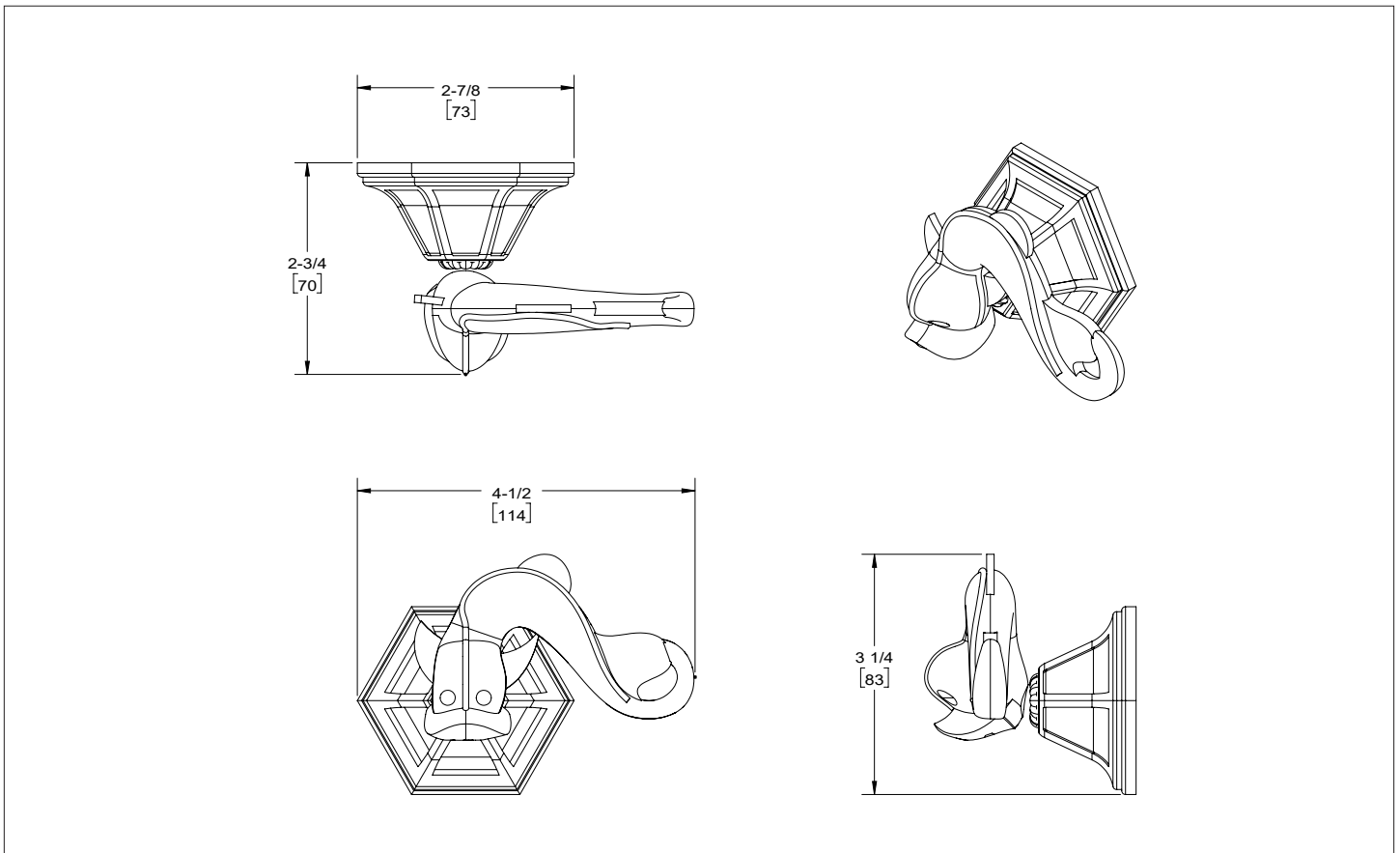
SB Satin Brass
OB Oil Rubbed Brass
PB Polished Brass

GP Gold Plate
AL Almond Gold
RG Rose Gold

ES English Silver
BS Butler Silver
AP Antique Pewter

BE Black Eclipse
BG Burnished Gold
AG Antique Gold

SP Satin Platinum
HP High Polished Platinum
BP Burnished Platinum



The measurements shown are for reference only. Products and specifications shown are subject to change without notice.

REV A

SHERLE WAGNER INTERNATIONAL

DOLPHIN LEVER VOLUME CONTROL AND DIVERTER TRIM 0907LV-ESC-DIV-XX



PRODUCT FEATURES

- o Available in all Sherle Wagner International finishes
 - o Solid brass/bronze construction
 - o Trim only used in conjunction with 1/2" or 3/4" ceramic cartridge volume control valves and Diverter valves
 - o Valve sold separately, see sales representative for options
 - o Includes stem extension
-
- o Required add-ons for installation: See sales representative
VLVE-1/2-LH or VLVE-1/2-RH 1/2" inwall valve
VLVE-3/4-LH or VLVE-3/4-RH 3/4" inwall valve

AVAILABLE METAL FINISHES

PN Polished Nickel
CP Polished Chrome
BN Brushed Nickel
BC Brushed Chrome

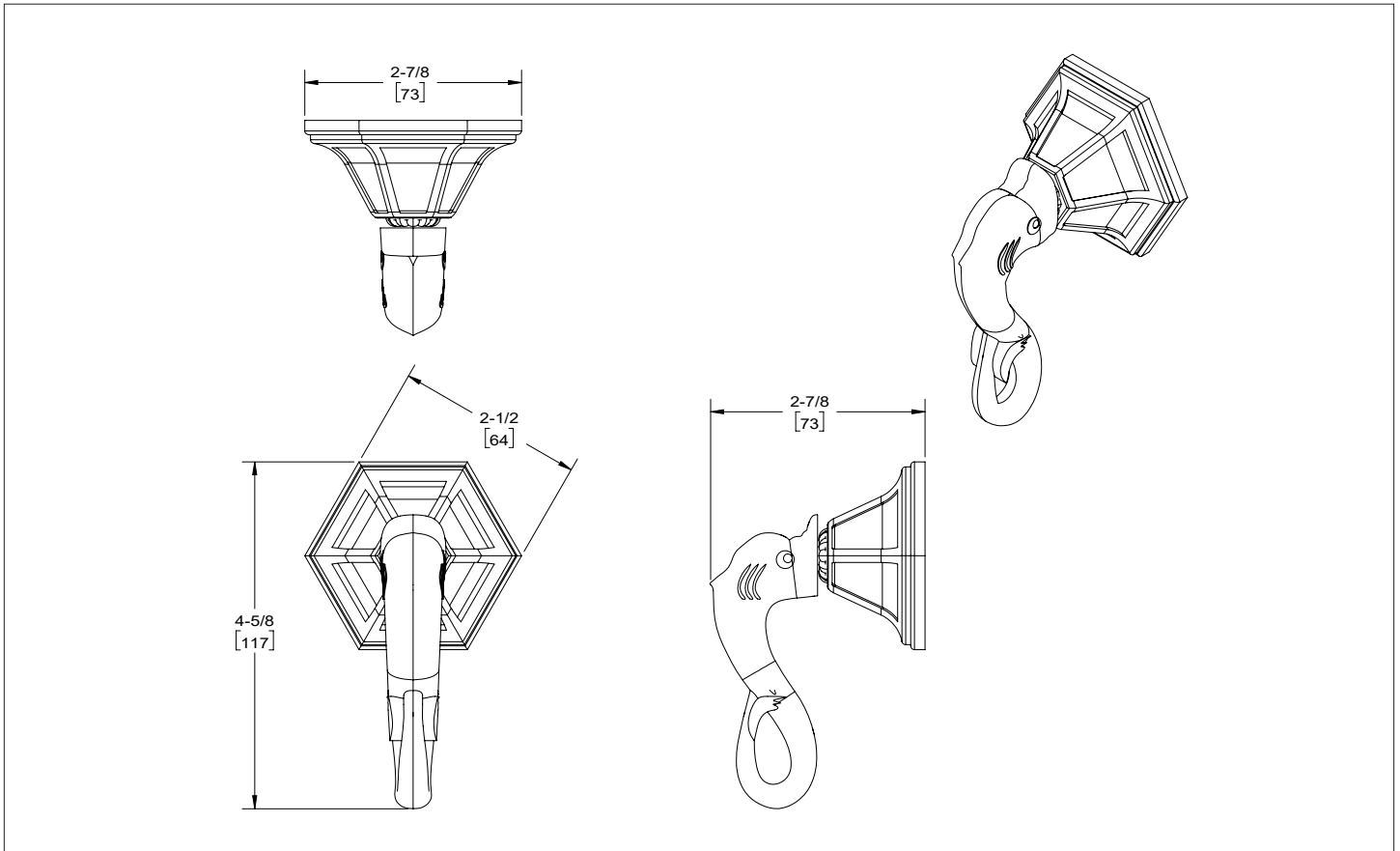
SB Satin Brass
OB Oil Rubbed Brass
PB Polished Brass

GP Gold Plate
AL Almond Gold
RG Rose Gold

ES English Silver
BS Butler Silver
AP Antique Pewter

BE Black Eclipse
BG Burnished Gold
AG Antique Gold

SP Satin Platinum
HP High Polished Platinum
BP Burnished Platinum



The measurements shown are for reference only. Products and specifications shown are subject to change without notice.

REV A