

# SHERLE WAGNER INTERNATIONAL

## ONYX KNURLED KNOB DECK MOUNT TUB SET 1065DKT821-XXXX-XX



### PRODUCT FEATURES

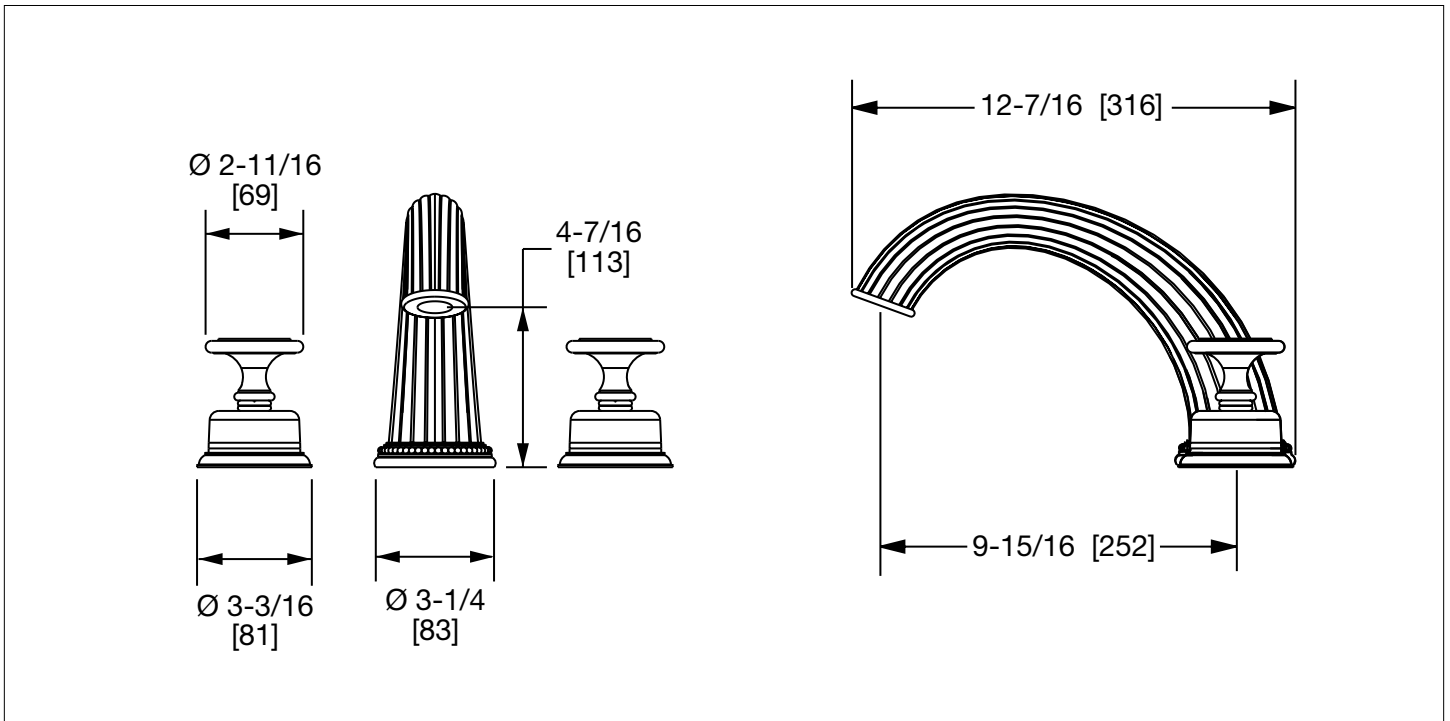
- o Available in all Sherle Wagner International finishes
- o Solid brass/bronze construction
- o Full flow
- o Includes (2) 1/2" washerless 1/4 turn ceramic valves
- o Refer to stone chart for standard stone insert, contact sales associate for custom stone options
- o Optional: (2) 3/4" valves for increased flow, contact sales associate for details

### AVAILABLE METAL FINISHES

|                     |                   |                   |                           |
|---------------------|-------------------|-------------------|---------------------------|
| PN Polished Nickel  | PB Polished Brass | ES English Silver | AG Antique Gold           |
| CP Polished Chrome  | FP Flemish Patina | BS Butler Silver  | SP Satin Platinum         |
| BN Brushed Nickel   | EP English Patina | RG Rose Gold      | HP High Polished Platinum |
| BC Brushed Chrome   | VA Verdi Antique  | AP Antique Pewter | BP Burnished Platinum     |
| SB Satin Brass      | GP Gold Plate     | PE Black Pearl    |                           |
| OB Oil Rubbed Brass | AL Almond Gold    | BG Burnished Gold |                           |

### AVAILABLE SEMIPRECIOUS INSERTS

|                   |                  |               |                     |
|-------------------|------------------|---------------|---------------------|
| RKCR Rock Crystal | RSQU Rose Quartz | AMET Amethyst | BKOB Black Obsidian |
|-------------------|------------------|---------------|---------------------|



The measurements shown are for reference only. Products and specifications shown are subject to change without notice.

Rev A