

SHERLE WAGNER INTERNATIONAL

NEOCLASSICAL KNOB DECK MOUNT TUB SHOWER SET 1165DTS-813-XX



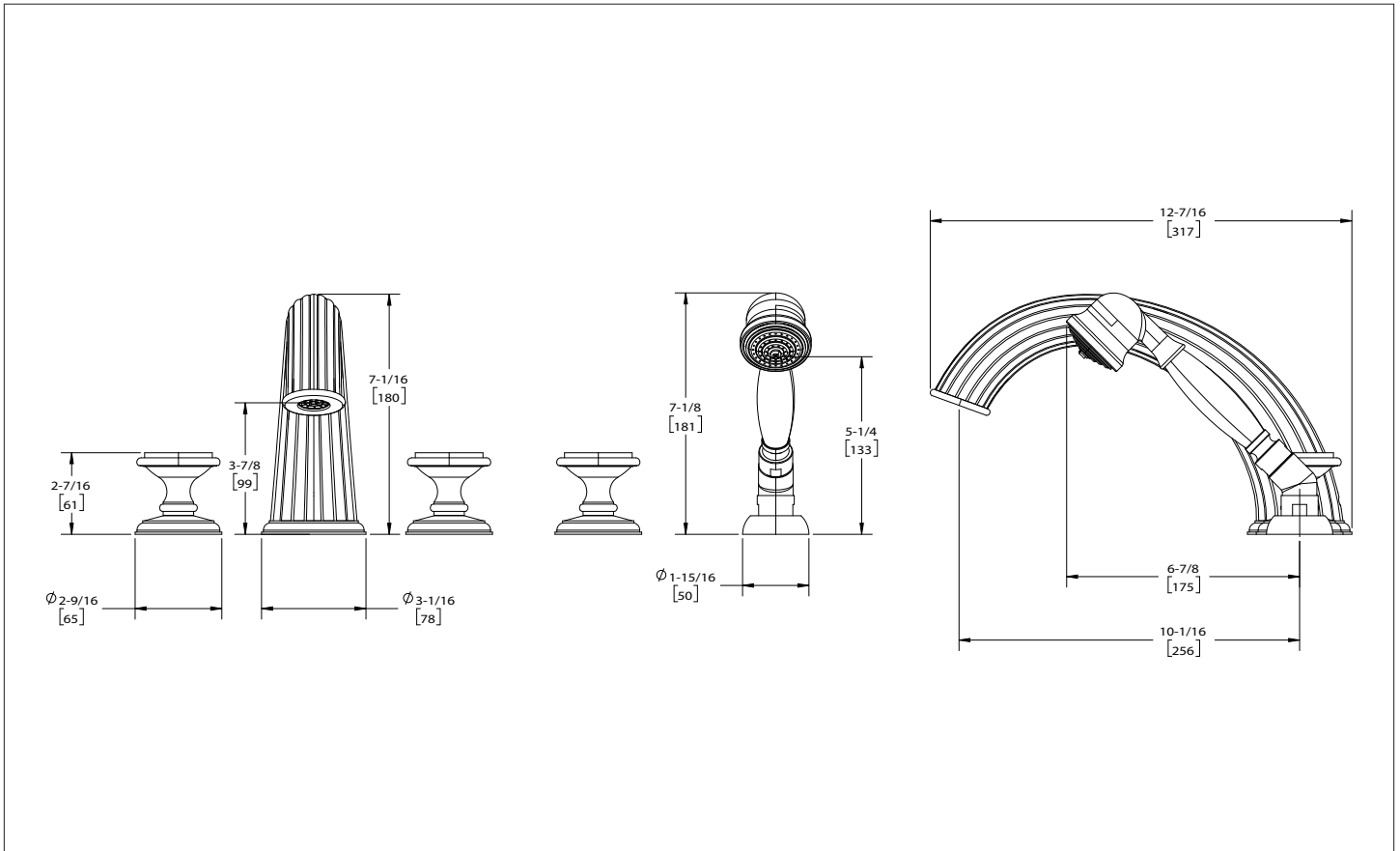
1165DTS-813-PN

PRODUCT FEATURES

- o Available in all Sherle Wagner International finishes
- o Solid brass/bronze construction
- o Full flow
- o Includes (2) 1/2" washerless 1/4 turn ceramic valves
- o Includes (3) 72" braided hose 1/2" FNPT to 3/4" FNPT for diverter
- o Includes deckmount handshower
- o 1.8 gpm (6.8 L/min) handshower flowrate
- o Includes (1) 72" spiral handshower hose with vacuum break
- o Leader hose not included
- o Optional: (2) 3/4" valves for increased flow, contact SWI representative for details

AVAILABLE METAL FINISHES

PN Polished Nickel	SB Satin Brass	GP Gold Plate	ES English Silver	BE Black Eclipse	SP Satin Platinum
CP Polished Chrome	OB Oil Rubbed Brass	AL Almond Gold	BS Butler Silver	BG Burnished Gold	HP High Polished Platinum
BN Brushed Nickel	PB Polished Brass	RG Rose Gold	AP Antique Pewter	AG Antique Gold	BP Burnished Platinum
BC Brushed Chrome					



The measurements shown are for reference only. Products and specifications shown are subject to change without notice.

REV A