

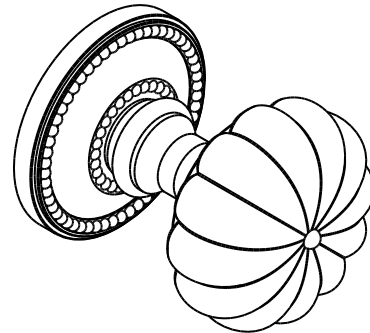
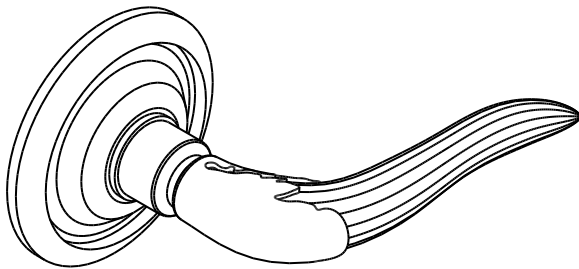
SHERLE



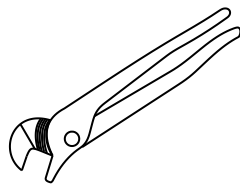
WAGNER
INTERNATIONAL

INSTALLATION GUIDE

DOOR LEVER AND KNOB

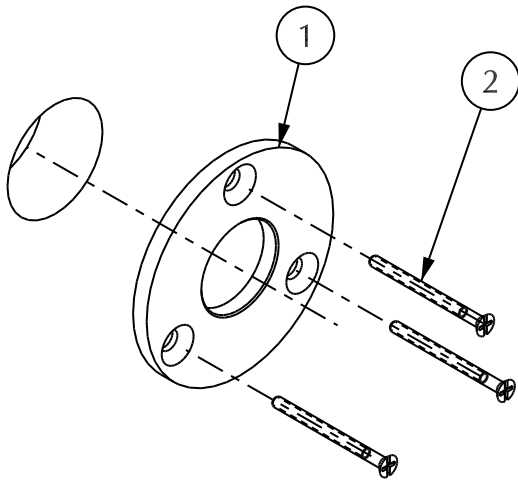


Installation tools that may be needed:



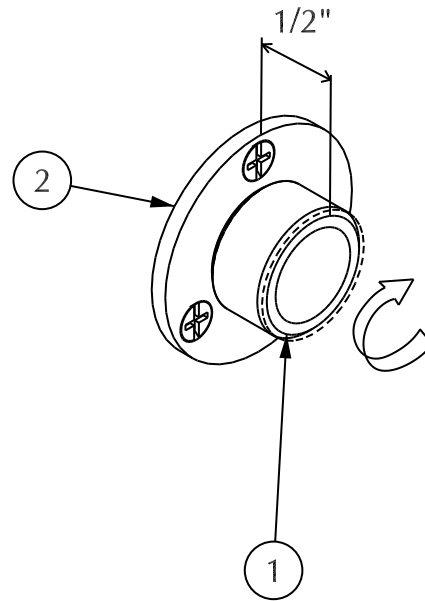
Door Lever/Knob Installation

1



1. Align mounting plate (1) on center with hole in door and install screws (2) into door.

2



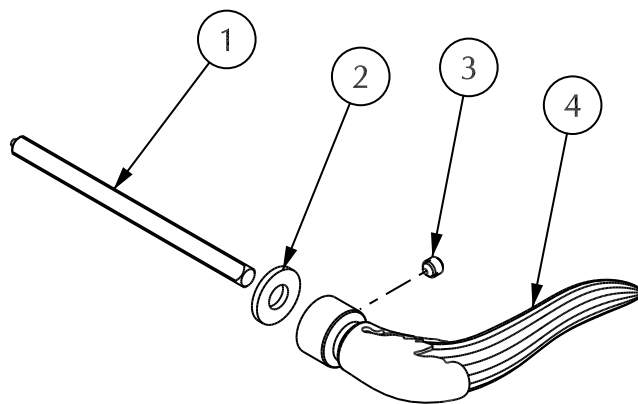
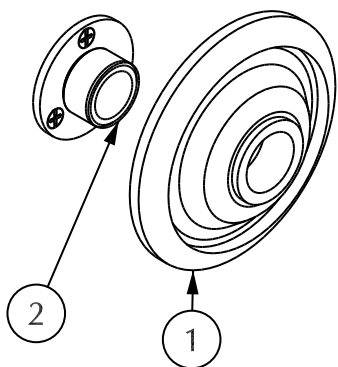
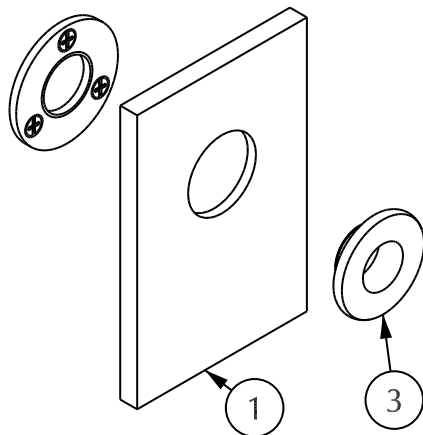
1. Thread mounting stud (1) into mounting plate (2) until approximately 1/2" of thread is protruding.

Door Lever/Knob Installation

3

4

DETAIL A



1. Thread backplate (1) onto mounting stud (2).

OPTIONAL: SOME BACKPLATES UTILIZE A BACKPLATE NUT (3) TO SECURE BACKPLATE (1) TO DOOR. SEE DETAIL A.

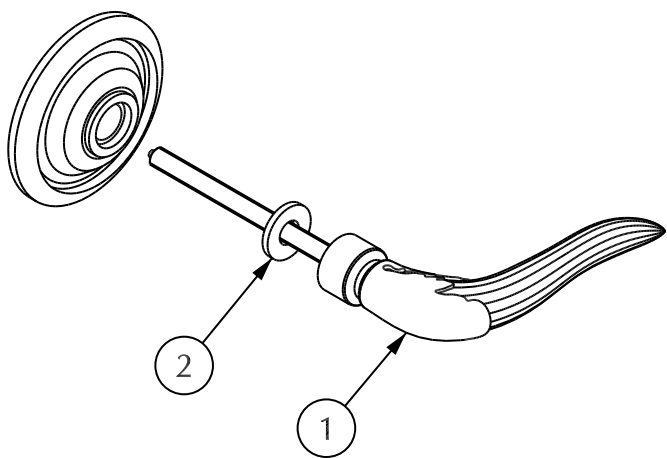
1. Mount door lever/knob (4) onto spindle (1).

2. Secure lever/knob (4) to spindle (1) with set screw (3).

3. Slide Teflon ring (2) onto spindle (1).

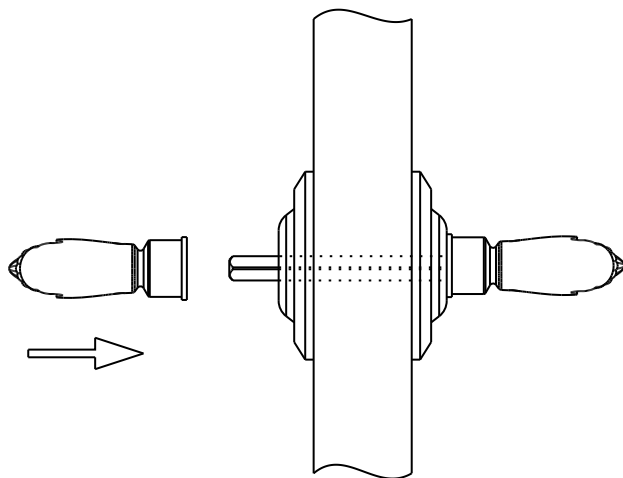
Door Lever/Knob Installation

5



1. Insert lever/spindle assembly (1) through hole in door and ensure teftlon ring (2) is properly seated.

6



1. Repeat installation step 4 and 5 to mount mating lever/knob on opposite side of door.

Door Lever/Knob Parts List

Item	Part Number	Description
1	14706*	Door Lever/Knob Mounting Kit
2	2912*	Spindle
3	14272	Set Screw Kit

* SPECIFY DOOR THICKNESS AND BACKPLATE BEING USED WHEN ORDERING

