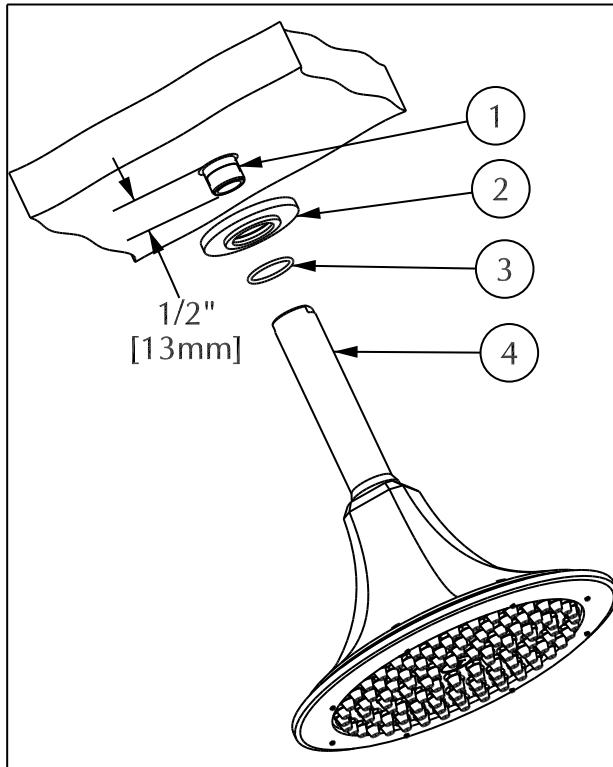




## INSTALLATION GUIDE

## RAIN DOME - 3/4"



1. Make sure that o-ring (3) is properly seated into escutcheon (2). Slide escutcheon (2) onto rain dome (4).
2. Thread rain dome (4) onto 3/4 NPT male connector (1 - not included) in ceiling and wrench tighten. Use teflon tape for sealing as needed. Male connector (1) to protrude approximately 1/2" [13mm] from ceiling surface.
3. Slide escutcheon (2) up until bottom surface of escutcheon is against ceiling.

Installation tools that may be needed:

