

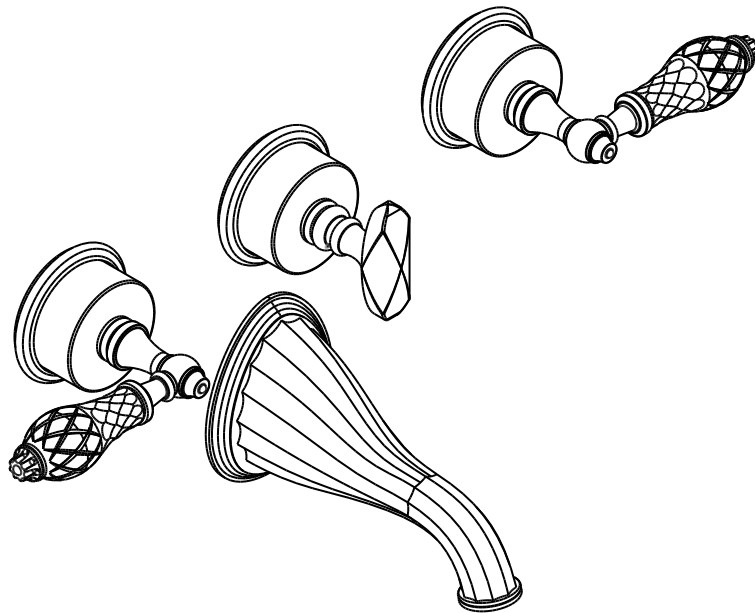
S H E R L E



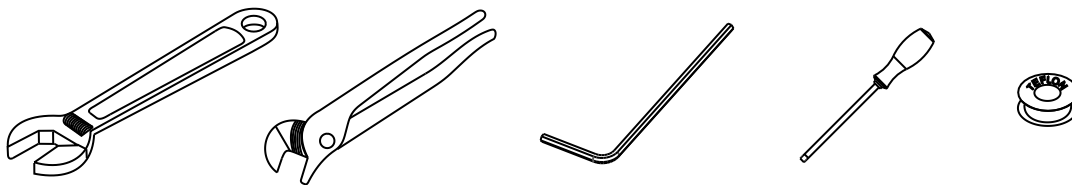
W A G N E R
INTERNATIONAL

INSTALLATION GUIDE

SHR AND T/S AND TUB TRIM

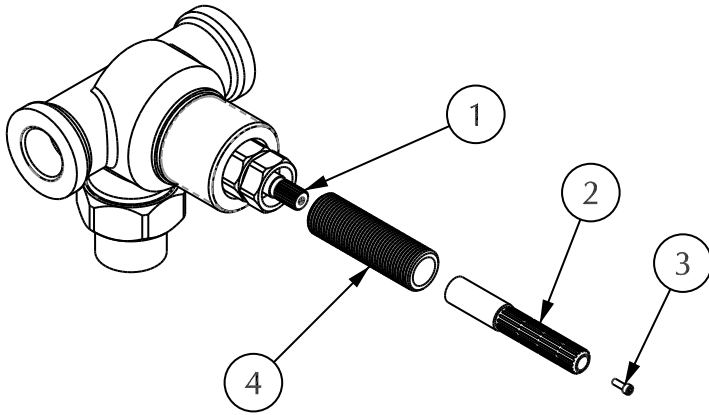


Installation tools that may be needed:



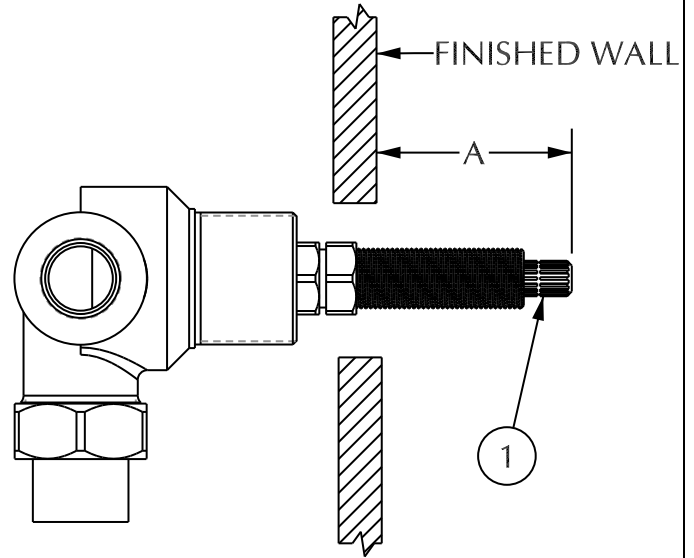
Handle Installation

1



1. Install stem extension (2) onto volume control cartridge and diverter cartridge (for VLVE-T/S model only) stem (1) using screw (3).
2. Thread allthread (4) into top of volume control cartridge (1) and diverter cartridge (for VLVE-T/S model only).

2



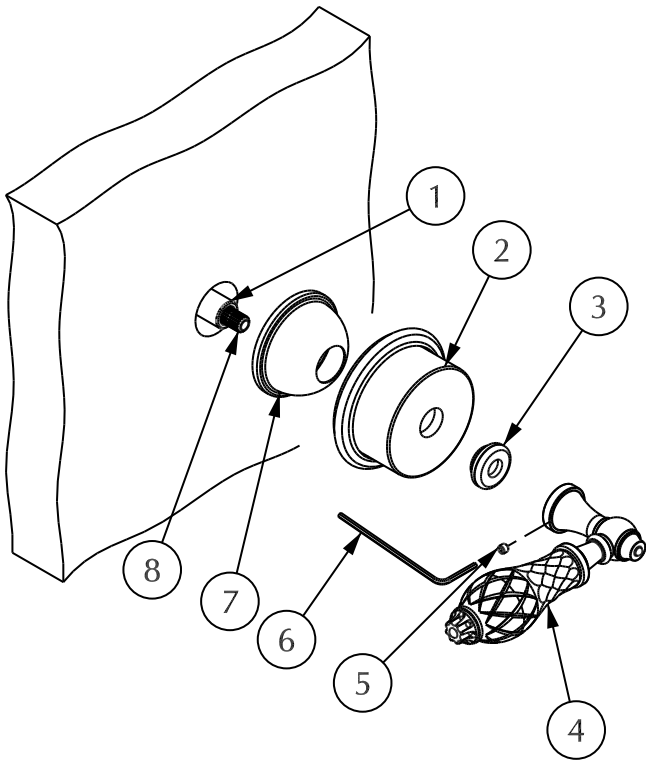
1. Measure distance "A" as shown above and compare to column A on chart on page 7.

IF "A" AS MEASURED IS **GREATER** THAN THE VALUE IN COLUMN "A" PER MODEL BEING INSTALLED, MARK NEEDED LENGTH ON STEM EXTENSION (1), REMOVE FROM VALVE THEN CUT TO LENGTH. RE-INSTALL ON VALVE.

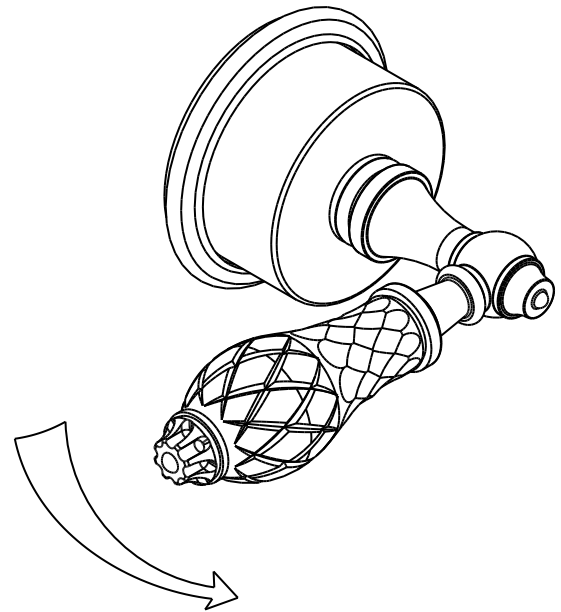
IF "A" AS MEASURED IS **LESS** THAN THE VALUE IN COLUMN "A" PER MODEL BEING INSTALLED, A LONGER STEM EXTENSION IS NEEDED. ORDER EXT-KIT-XL EXTRA LONG EXTENSION KIT.

Handle Installation

3



4



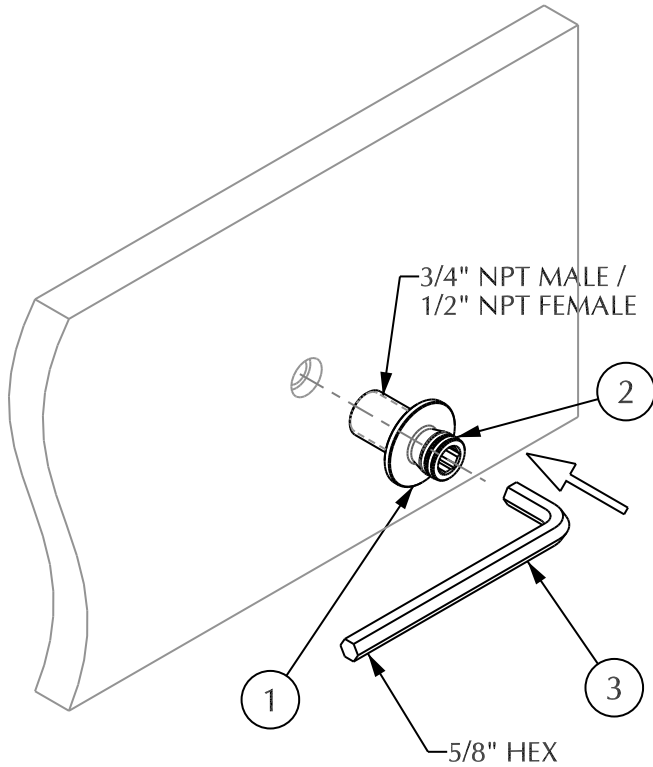
1. OPTIONAL: For sets with a translucent escutcheon, place valve cover (7) over valve until valve cover sits on wall.
2. Place escutcheon (2) over valve.
3. Thread escutcheon nut (3) onto allthread (1) until secure and escutcheon (2) does not move.

NOTE: Some models utilize an escutcheon nut (3) that threads directly into the top of end valve, not the allthread (1). For these models, there will be no allthread (1).
4. Mount lever/knob (4) onto cartridge stem (8) and secure by tightening set screw (5) with hex wrench (6).
5. Turn lever to full off position and check to make sure it is straight. If it requires adjustment, remove set screw (5) and re-install lever/knob (4) to proper position, then re-install set screw (5).

1. Repeat step 3 for other volume control handle and diverter handle (for VLVE-T/S model only).
2. Turn handles on and off to check for proper installation and water flow.

Quick Connect Spout Installation

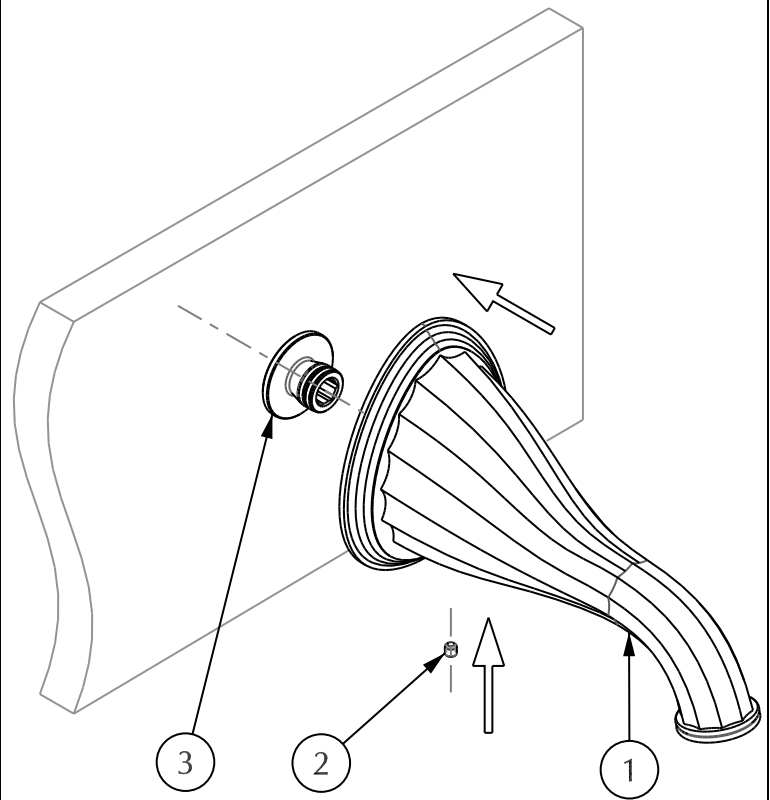
5A



1. Apply proper thread sealant to quick connect (1) threads, then install quick connect (1) to fitting inside wall using hex wrench (3) (not supplied).
2. Check that quick connector (1) is firmly on wall and o-ring (2) are properly seated in grooves.

NOTE: SEE PAGE 8 FOR QUICK CONNECT DIMENSIONS.

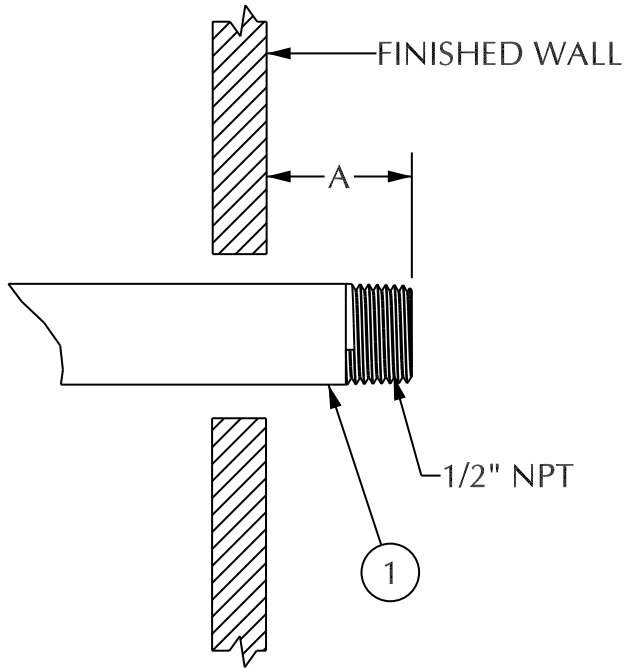
6A



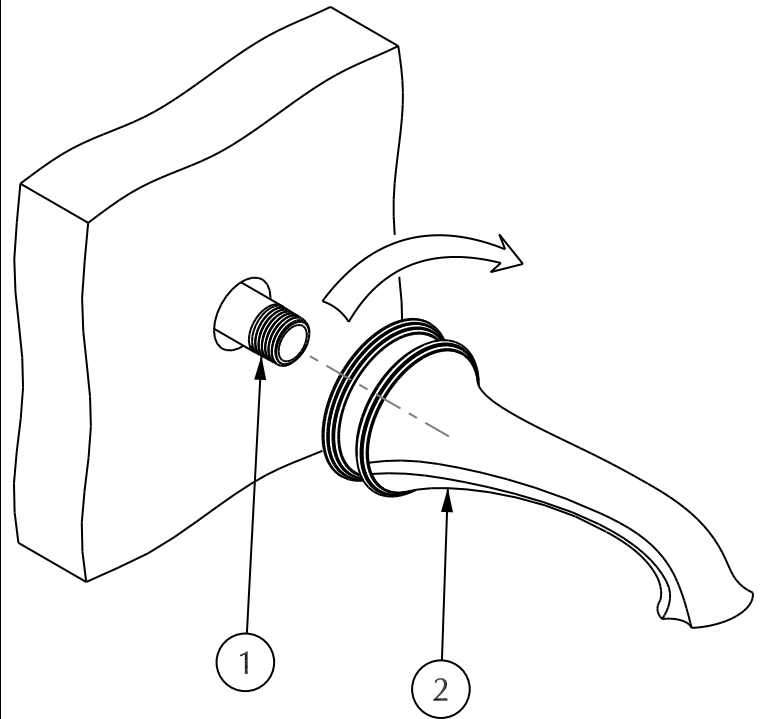
1. Slide tub spout (1) onto quick connect shank (3) until spout is flush against wall.
2. Tighten set screw (2) into bottom of spout.
3. Recheck that spout is firmly on wall.

Threaded Spout Installation

5B



6B



1. Rough-in 1/2" supply pipe (1) to a distance "A" away from finished wall surface as shown in below table.

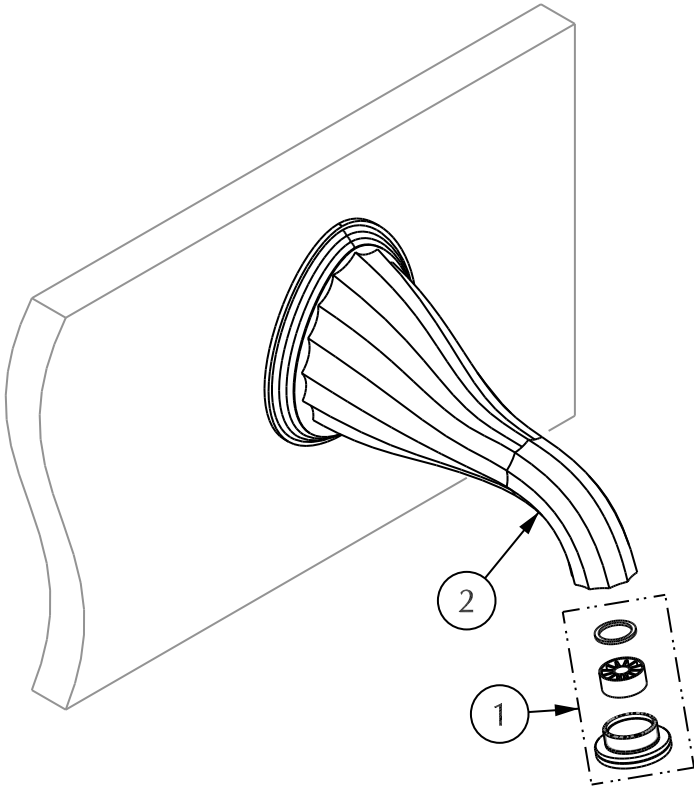
NOTE: MAKE SURE THAT 1/2" PIPE (1) IS RIGIDLY HELD IN PLACE. BE SURE TO "DRY" FIT 1/2" SUPPLY PIPE TO SPOUT TO ENSURE DISTANCE "A" IS CORRECT.

Model No.	Description	A
0815TUB	Shell	1/2" [50.8mm]
0816TUB	Dolphin	2-1/2" [63.5mm]
0819TUB	Acanthus B	15/16" [23.8mm]
0821TUB	Louis Seize	9/16" [14.3mm]

1. Apply an appropriate thread sealant to threaded end of 1/2" supply pipe (1).
2. Thread spout (2) onto 1/2" supply pipe (1) until spout is securely in place against finished wall surface.

Spout Installation

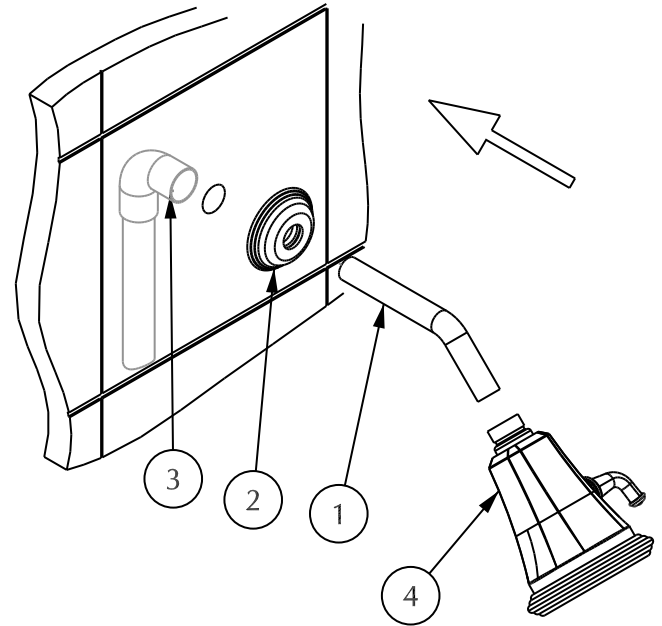
7



1. Remove aerator assembly (1) from spout (2).
2. Turn on water to flush lines and to check for leaks.
3. Re-install aerator and turn on water to check for proper aerator installation.

Shower Head Installation

8



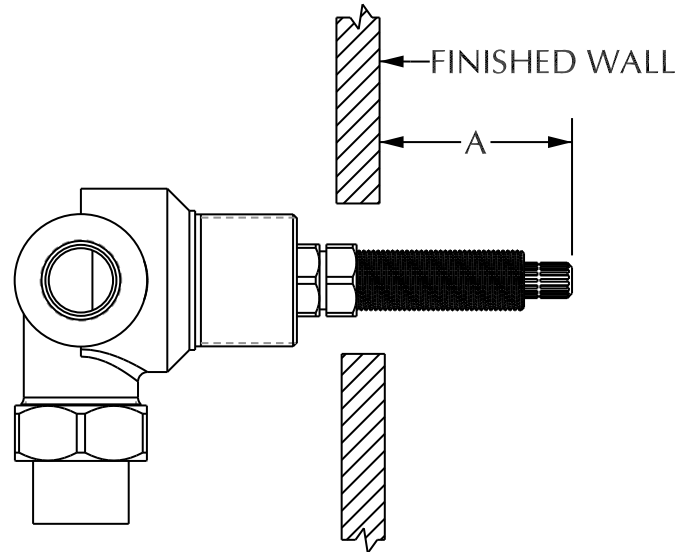
1. Apply Teflon tape to both ends of shower arm (1).
2. Insert wall end of shower arm (1) into shower arm escutcheon (2).
3. Screw wall end of shower arm (1) into shower riser connection (3) inside wall.
4. Thread shower head (4) onto shower arm (1).

NOTE: FOR VLVE-TUB MODEL, ONLY TUB SPOUT OR SHOWER HEAD INSTALLATION CAN BE USE.

Wallmount Volume Control & Diverter Stem Extension Length

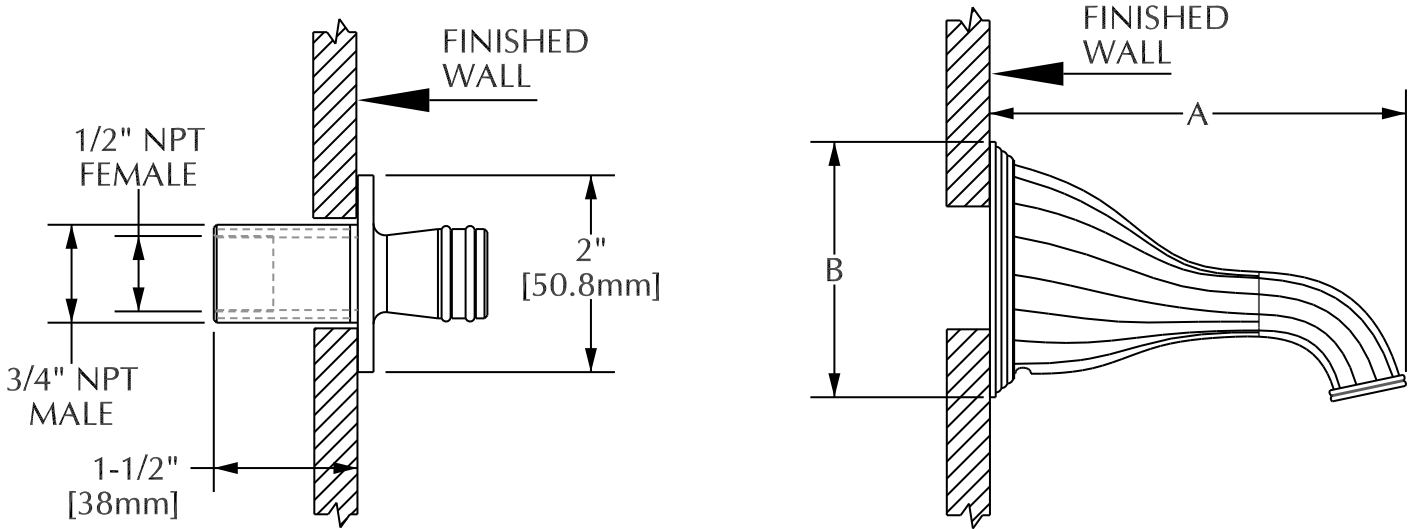
Handle Dimensions

Model No.	A	Model No.	A
0907	2" [50.8mm]	1029*	2-3/4" [69.9mm]
0910	2-3/8" [60.3mm]	1029**	2-3/8" [60.3mm]
0912	2-5/8" [66.7mm]	1029***	2-3/8" [60.3mm]
0913	2-3/8" [60.3mm]	1030*	2-3/4" [69.9mm]
0914	2-1/4" [57.2mm]	1030**	2-3/8" [60.3mm]
0915	2-5/8" [66.7mm]	1030***	2-3/8" [60.3mm]
0916	1-3/4" [44.5mm]	1040	2-3/8" [60.3mm]
0917	2-5/8" [66.7mm]	1065**	2-3/8" [60.3mm]
0918	2-5/8" [66.7mm]	1065***	2-3/8" [60.3mm]
0919	2-5/8" [66.7mm]	1097*	2-3/4" [69.9mm]
0920	2-5/8" [66.7mm]	1098	2-3/8" [60.3mm]
0921	2-5/8" [66.7mm]	2010	2" [50.8mm]
0923	2-3/8" [60.3mm]	2015	2" [50.8mm]
0931	2-3/8" [60.3mm]	2020	2" [50.8mm]
0932	2-3/8" [60.3mm]	2050	2-1/2" [63.5mm]
0933	2-1/4" [57.2mm]	2103	2" [50.8mm]
0934	2-3/8" [60.3mm]	2104	2" [50.8mm]
0980	2-3/8" [60.3mm]	2106	2" [50.8mm]
0981	2-3/8" [60.3mm]	2108	2" [50.8mm]
0990	2-3/4" [69.9mm]	2112	2" [50.8mm]
0991	2-3/4" [69.9mm]	2120	2" [50.8mm]
0992	2-3/4" [69.9mm]	2150	2-1/2" [63.5mm]
0993	2-3/4" [69.9mm]		



* INCLUDES ALL PORCELAIN TRIM
 ** INCLUDES ALL ONYX, ROSE QUARTZ, ROCK CRYSTAL AND AMETHYST
 *** INCLUDES MALACHITE, TIGER EYE, LAPIS LAZULI AND RHODOCHROSITE

Wallmount Tub Spout Dimensions



Model No.	Description	A	B
0801TUB	Apollo	7 1/2" [190,5mm]	2" [50.8mm]
0802TUB	Nouveau	7 3/4" [196.9mm]	2" [50.8mm]
0803TUB	Pyramid	8" [203.2mm]	2 5/8" [66.7mm]
0813TUB	Smooth Classic	6" [152.4mm]	2 3/4" [69.9mm]
0814TUB	Contemporary	7 1/2" [190,5mm]	3 1/4" [82.6mm]
0815TUB	Shell	6 1/2" [165.1mm]	2 7/8" [73mm]
0816TUB	Dolphin	5 3/4" [146.1mm]	2 3/4" [69.9mm]
0818TUB	Ribbon & Reed A	6 1/2" [165.1mm]	3 1/4" [82.6mm]
0819TUB	Acanthus B	6 1/2" [165.1mm]	3 1/2" [88.9mm]
0820TUB	Swan	7 1/2" [190.5mm]	3" [76.2mm]
0821TUB	Classic C Textured	6" [152.4mm]	2 3/4" [69.9mm]
0822TUB	Louis Seize	6" [152.4mm]	2 3/4" [69.9mm]
0823TUB	Filigree	9" [228.6mm]	3 5/8" [92.1mm]
0824TUB	Harrison	9" [228.6mm]	3 5/8" [92.1mm]
0825TUB	Grey	10" [254mm]	3 11/16" [93.7mm]
0826TUB	Block	7" [177.8mm]	1-1/8" [28.6mm]

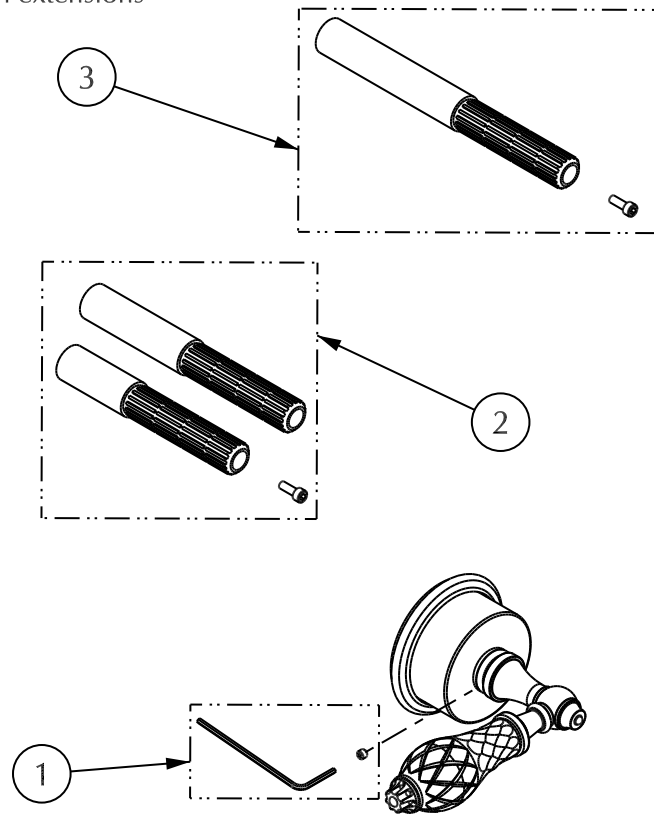
Wallmount Volume Control & Diverter Trim Parts List

Item	Part Number	Description
1	11926	Set Screw Kit
2	EXT-KIT-WLMT*	Wallmount Extension Kit**
3	EXT-KIT-XL*	Extra Long Extension Kit***

* SPECIFY FINISH WHEN ORDERING

** Contains 2-1/2" and 3-1/2" stem extensions

*** Contains 4-1/2" stem extension



Wallmount Tub Spout Parts List

ITEM	PART NUMBER	DESCRIPTION
1	10802	Quick Connect Shank
2	10827	O-Ring
3	11724	1/4-20 X 0.75 Set Screw
4	VARIOUS*	Aerator Assembly

* CONTACT SHERLE WAGNER SALES REPRESENTATIVE

