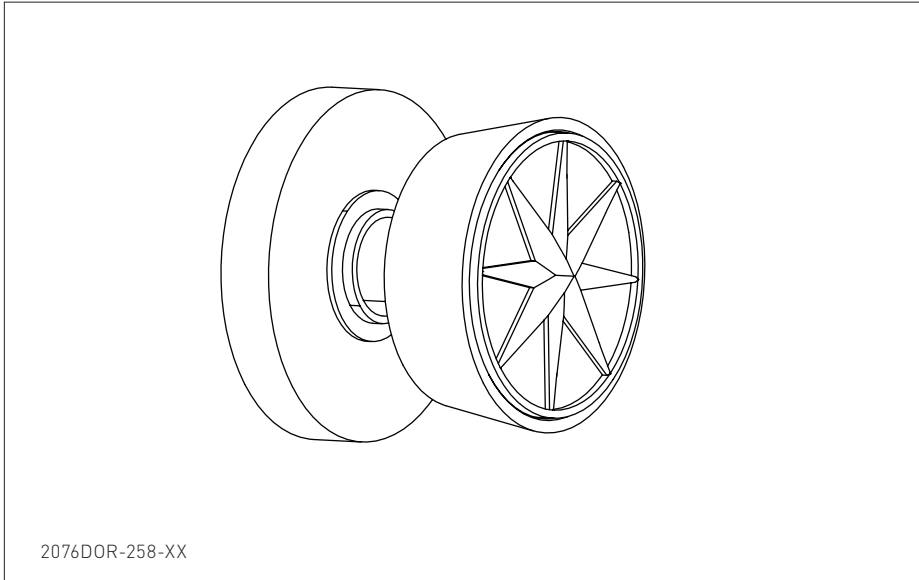


# SHERLE WAGNER INTERNATIONAL

## COMPASS DOOR KNOB WITH 2-5/8" ROSE 2076DOR-258-XX

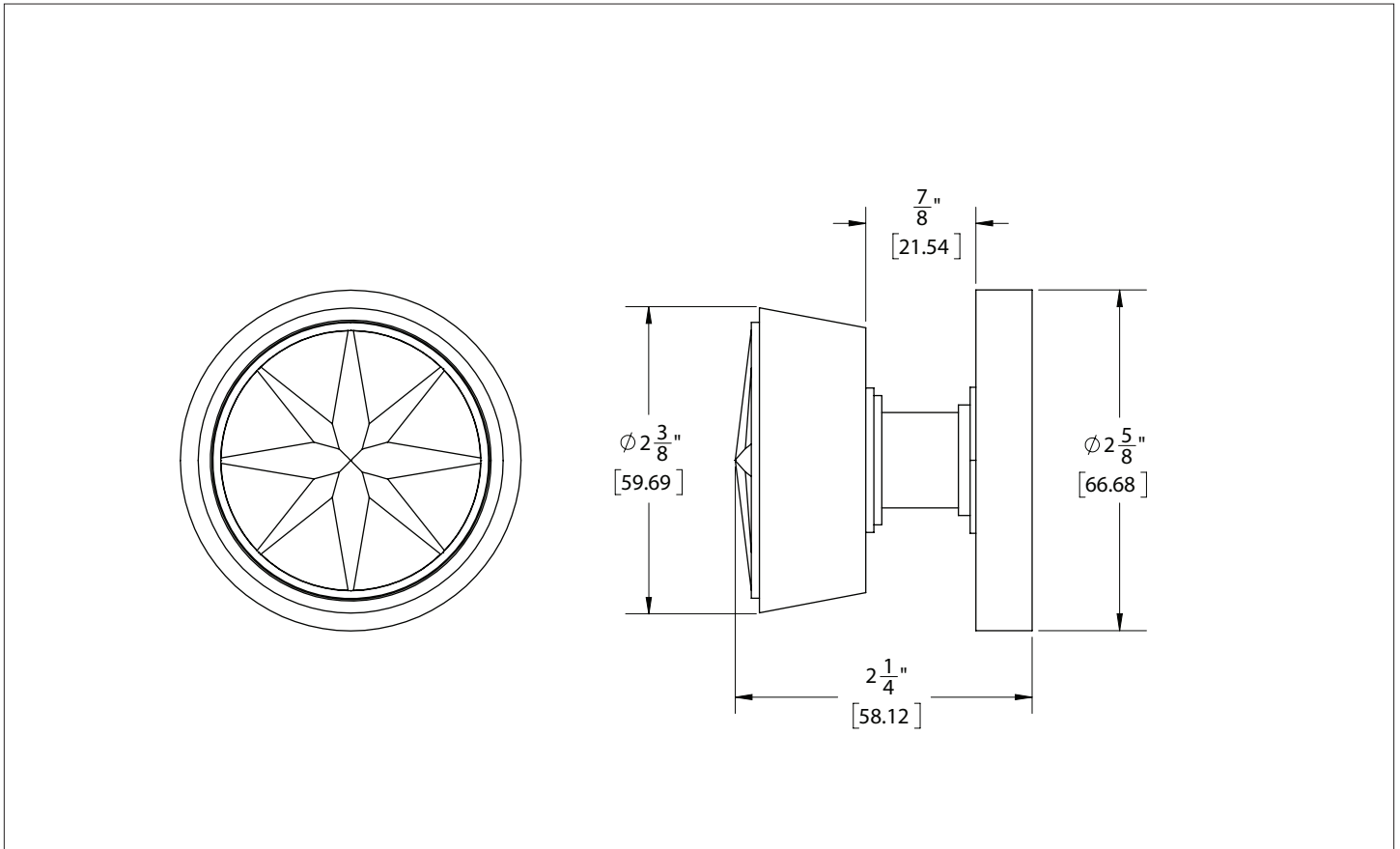


### PRODUCT FEATURES

- o Available in all Sherle Wagner International finishes
- o Solid brass/bronze construction
- o Includes mounting hardware
- o Inquire for custom spindles applications
- o Requires 7.3 mm spindle

### AVAILABLE METAL FINISHES

PN Polished Nickel	SB Satin Brass	GP Gold Plate	ES English Silver	PE Black Pearl	SP Satin Platinum
CP Polished Chrome	OB Oil Rubbed Brass	AL Almond Gold	BS Butler Silver	BG Burnished Gold	HP High Polished Platinum
BN Brushed Nickel	PB Polished Brass	RG Rose Gold	AP Antique Pewter	AG Antique Gold	BP Burnished Platinum
BC Brushed Chrome					



The measurements shown are for reference only. Products and specifications shown are subject to change without notice.

Rev B