

SHERLE WAGNER INTERNATIONAL

COMPASS STONE INSERT KNOB FAUCET SET 2176BSN-806-XXXX-XX



PRODUCT FEATURES

- o Available in all Sherle Wagner International finishes
- o Solid brass/bronze construction
- o 1.0 gpm (3.8 L/min) flow rate
- o Includes (2) 1/2" washerless 1/4 turn ceramic valves
- o Includes (2) flexible hoses 1/2" FIP x 1/2" FIP x 12" length
- o Includes gaskets and tee fitting
- o Includes Lift & turn with overflow waste assembly. Push pop-up or strainer waste assembly optional
- o Recommended 12" spread. Can be installed 8"-16"
- o Refer to stone chart for standard stone insert, contact sales associate for custom stone options

AVAILABLE METAL FINISHES

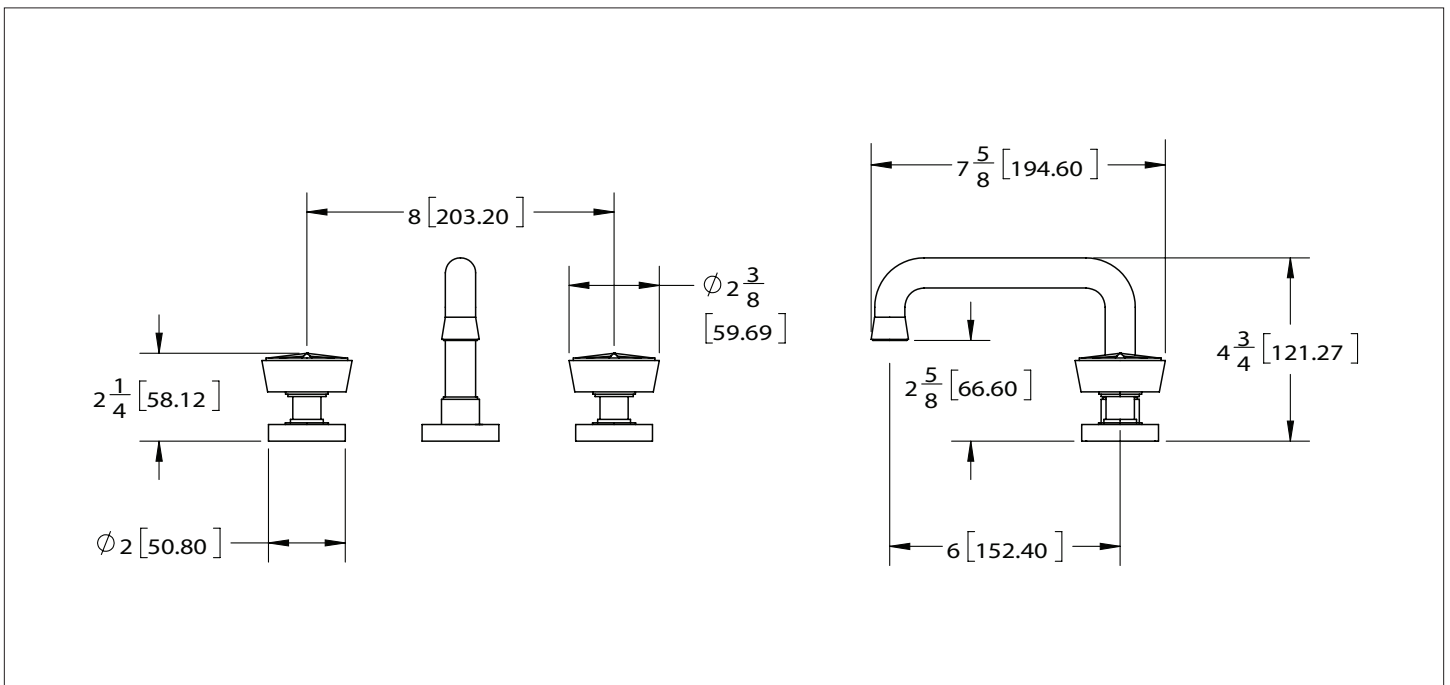
PN Polished Nickel	SB Satin Brass	GP Gold Plate	ES English Silver	PE Black Pearl	SP Satin Platinum
CP Polished Chrome	OB Oil Rubbed Brass	AL Almond Gold	BS Butler Silver	BG Burnished Gold	HP High Polished Platinum
BN Brushed Nickel	PB Polished Brass	RG Rose Gold	AP Antique Pewter	AG Antique Gold	BP Burnished Platinum
BC Brushed Chrome					

AVAILABLE ONYX INSERTS

BKOX Black Onyx	WHOX White Onyx	HNOX Honey Onyx	PKOX Pink Onyx	GROX Green Onyx	BROX Brown Onyx
-----------------	-----------------	-----------------	----------------	-----------------	-----------------

AVAILABLE SEMIPRECIOUS INSERTS

RKCR Rock Crystal	AMET Amethyst	BRTI Brown Tiger Eye	MALA Malachite	JASP Jasper	RHOD Rhodochrosite
RSQU Rose Quartz	BKOB Black Obsidian	BLTI Blue Tiger Eye	LAPI Lapis Lazuli		



The measurements shown are for reference only. Products and specifications shown are subject to change without notice.

REV B