

S H E R L E

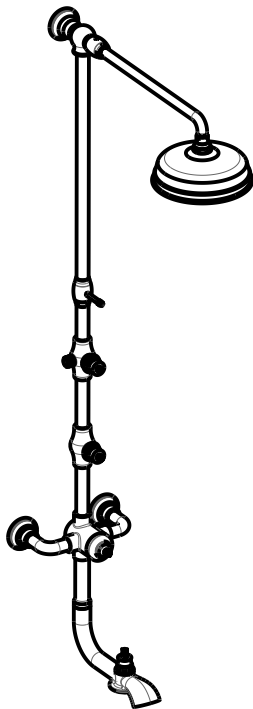


W A G N E R
INTERNATIONAL

INSTALLATION GUIDE

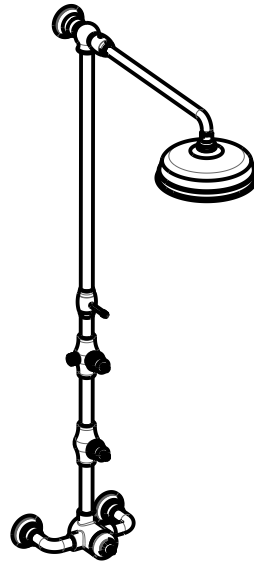
1/2" Exposed Tub Shower Set

XXXX-XTSH



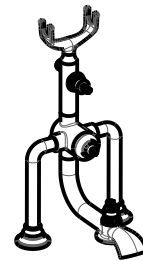
WALLMOUNT TUB/SHOWER SET

XXXX-XSHR



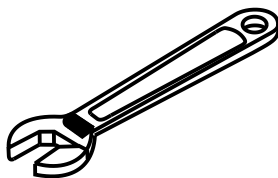
WALLMOUNT SHOWER SET

XXXX-XDKT



DECKMOUNT TUB/SHOWER SET

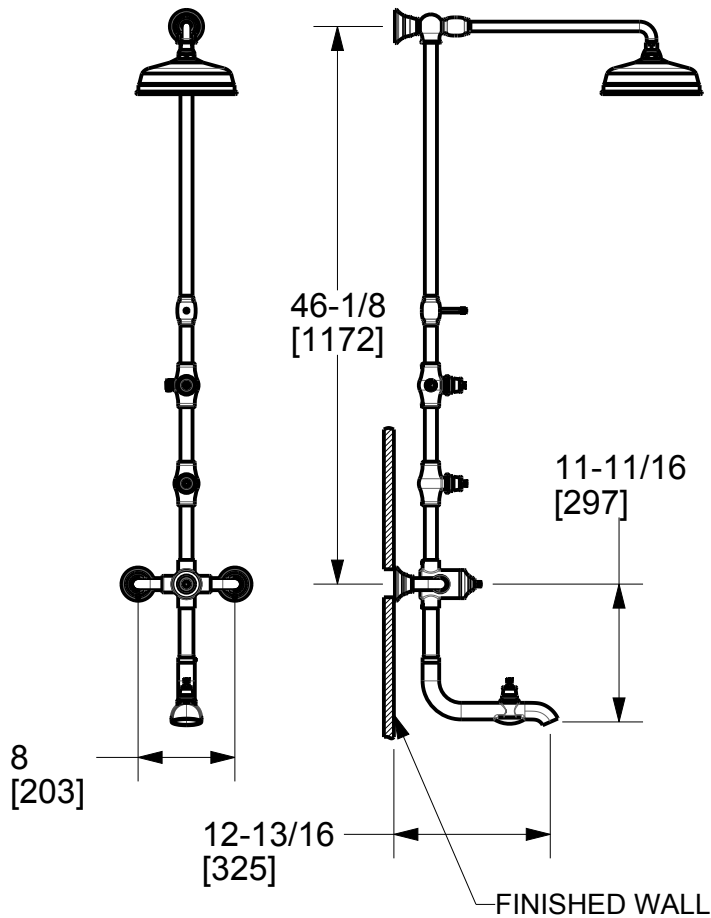
Installation tools that may be needed:



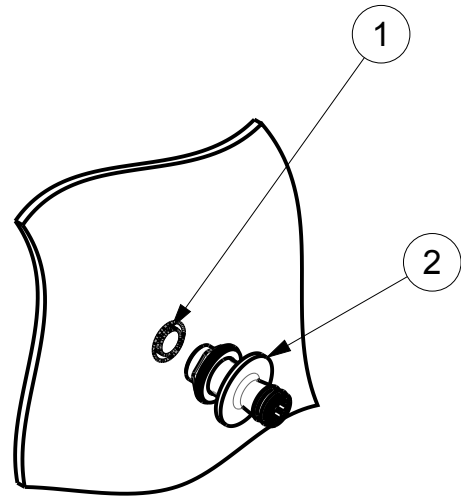
1/8 HEX & 5/8 HEX

Exposed Tub Wall Mount Set Installation

1A



2A

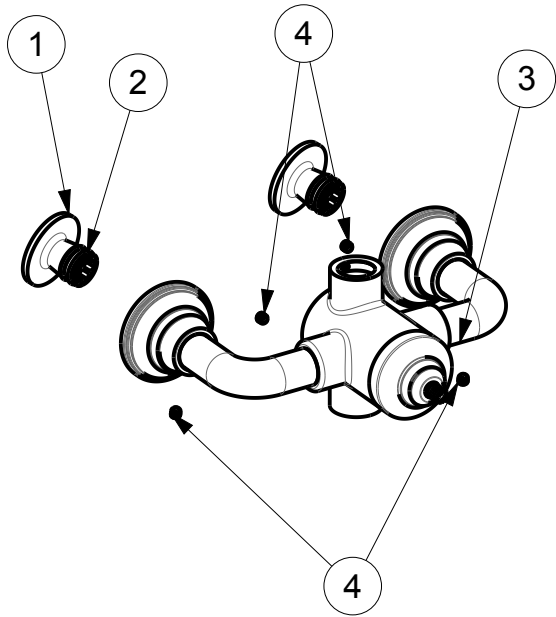


1. Determine location for installing tub & shower set.
2. Set 1/2" NPT supply pipes (not included) 8" [203.2mm] on center between pipes. Pipes should end approximately 1/2" behind finished wall surface.
3. NOTE: Max diameter for supply hole \varnothing 2"

1. Apply thread sealer to 1/2" NPT pipe (1) behind finished wall.
2. Mount quick connect fitting (2) onto pipe (1) and tighten against the finished wall with 5/8" Allen wrench.
3. Repeat Point 1 and 2 for other supply pipe.

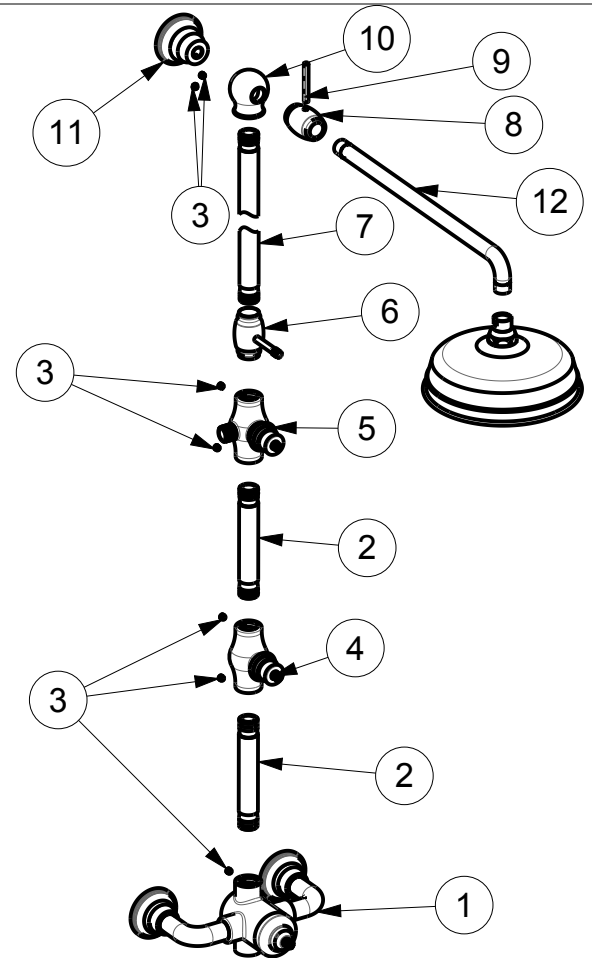
Exposed Tub Wall Mount Set Installation

3A



1. Back out set screws (4) in both hot and cold valve bodies sufficiently so that they do not interfere with or damage O rings (2) on quick connect fittings (1).
2. Lubricate O rings (2) on quick connect fittings (1) and carefully mount exposed valve assembly (3) onto quick connect fittings (1) take care not to damage O rings (2).
3. Apply some pressure to valve assembly (3) and tighten set screws (4) with 1/8" Allen wrench.

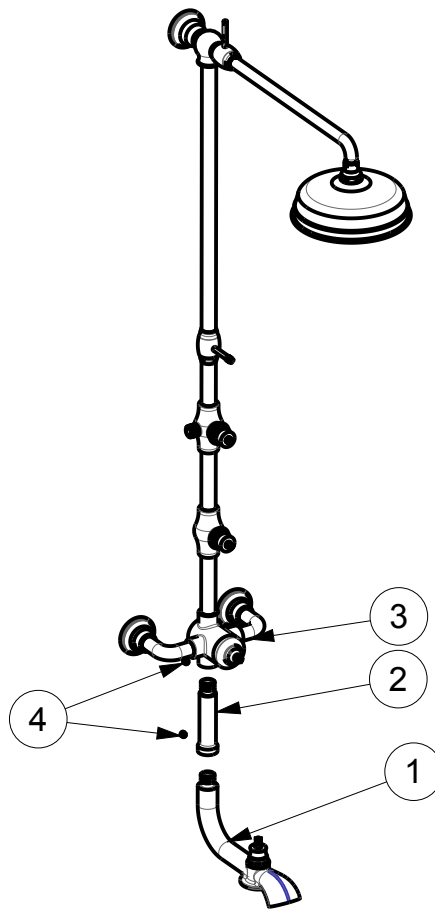
4A



1. Insert tube (2) into valve assembly (1) and secure with set screw (3).
2. Slide volume assembly (4) onto tube (2) with the valve stem front and secure with set screw (3).
3. Repeat point 1 to 2 for diverter assembly (5).
4. Slide hand shower hook (6) onto tube (7) and insert tube (7) into diverter assembly (5).
5. Mount backplate (11) on finished wall with anchor and screw (not supplied).
6. Mount elbow (10) onto tube (7) and mount elbow (10) into backplate (11), secured with set screws (3).
7. Mount sleeve (8) onto support rod (9) on ceiling and slide sleeve (8) onto shower arm (12) and mount shower arm (12) into elbow.

Exposed Tub Wall Mount Set Installation

5A

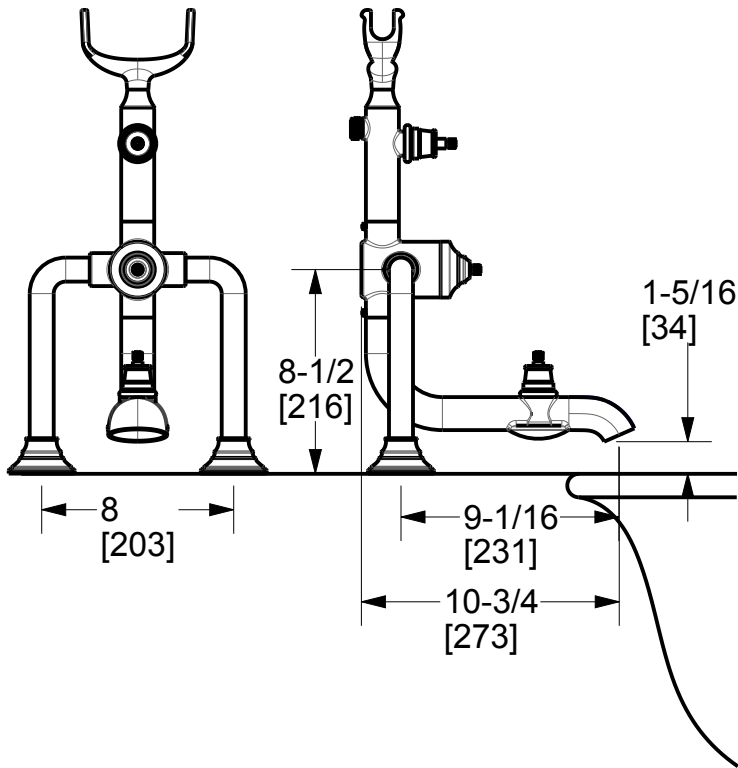


For tub spout install only

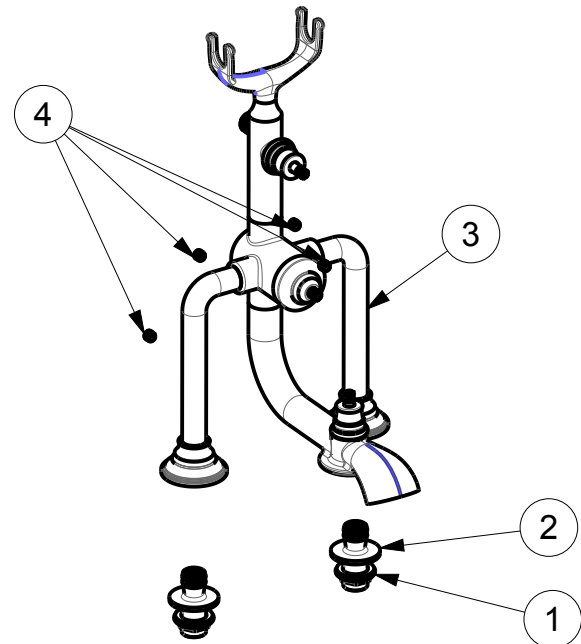
1. Mount tube (2) into valve assembly (3) and secure with set screw (4).
2. Mount Spout (1) into tube (2) and secure with set screw (4).

Exposed Tub Deck Mount Set Installation

1B



2B



1. Determine location for installing tub and shower set.
2. Set 1/2" NPT supply pipes (not included) 8" on center.
3. NOTE: Max diameter for supply hole \varnothing 2"

1. Back out set screws (4) in both hot and cold valve bodies sufficiently so that they do not interfere with or damage O rings (2) on quick connect fittings (1).
2. Lubricate O rings (2) on quick connect fittings (1) and carefully mount exposed tub assembly (3) onto quick connect fittings (1) take care not to damage O rings (2).
3. Apply some pressure to exposed tub assembly (3) and tighten set screws (4) with Allen wrench (not supplied).