

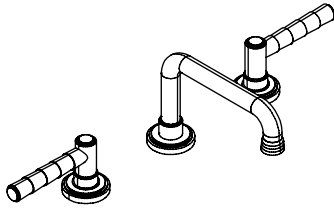


# SHERLE WAGNER INTERNATIONAL

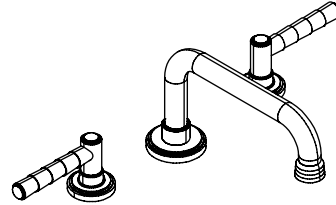
## KEYSTONE | DORIAN

INSTALLATION GUIDE

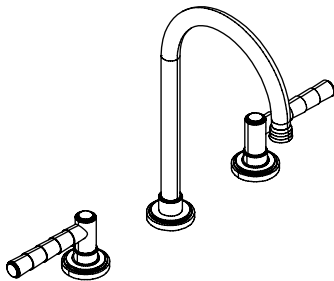
DECKMOUNT BASIN  
AND TUB SET



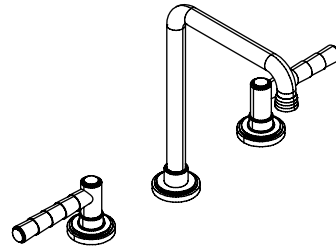
XXXXBSN806



XXXXDKT806

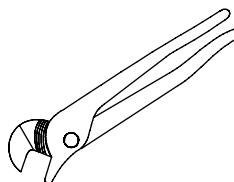
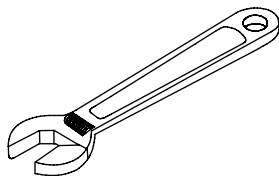


XXXXBAR808



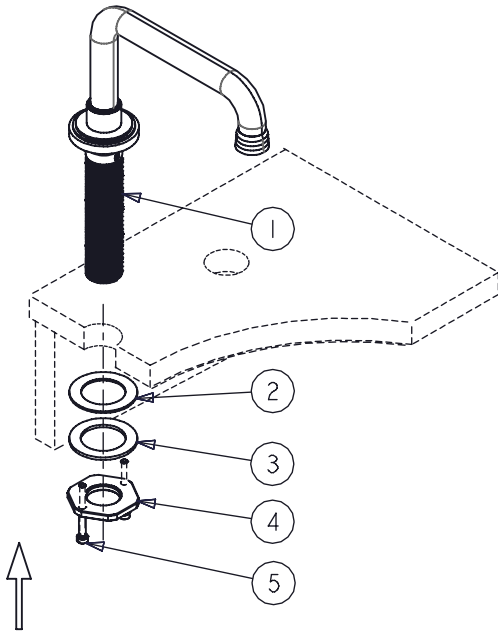
XXXXBAR807

Installation tools that may be needed:



## SPOUT INSTALLATION

1



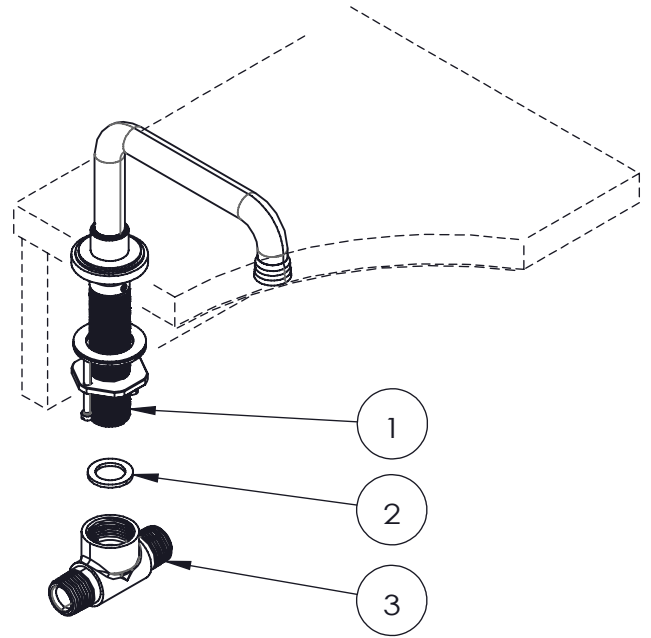
1. PLACE SHANK(1) OF SPOUT THROUGH DECK FROM ABOVE.

2. SLIDE RUBBER GASKET (2) AND METAL WASHER (3) ONTO SHANK (1).

3. THREAD MOUNTING NUT (4) ONTO SHANK FITTING (1) UNTIL NUT IS SECURED AGAINST BOTTOM OF DECK.

4. THREAD JACK SCREWS (5) INTO MOUNTING NUT AND TIGHTEN SCREWS EVENLY UNTIL SECURE.

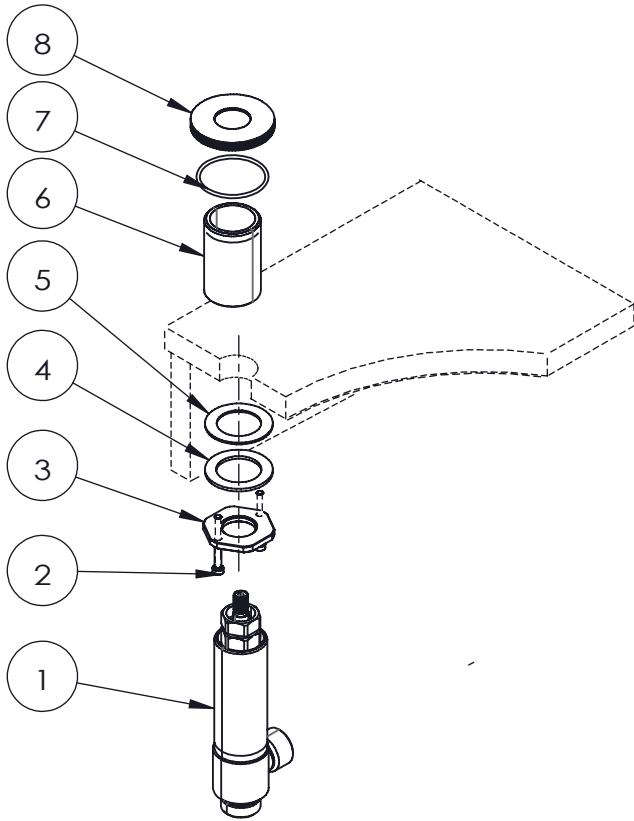
2



1. MOUNT TEE CONNECTOR (3) ONTO SHANK(1) AND TIGHT WITH A WRENCH. MAKE SURE RUBBER GASKET(2) SEATS INTO TEE CONNECTOR (3).

## END VALVE INSTALLATION

3



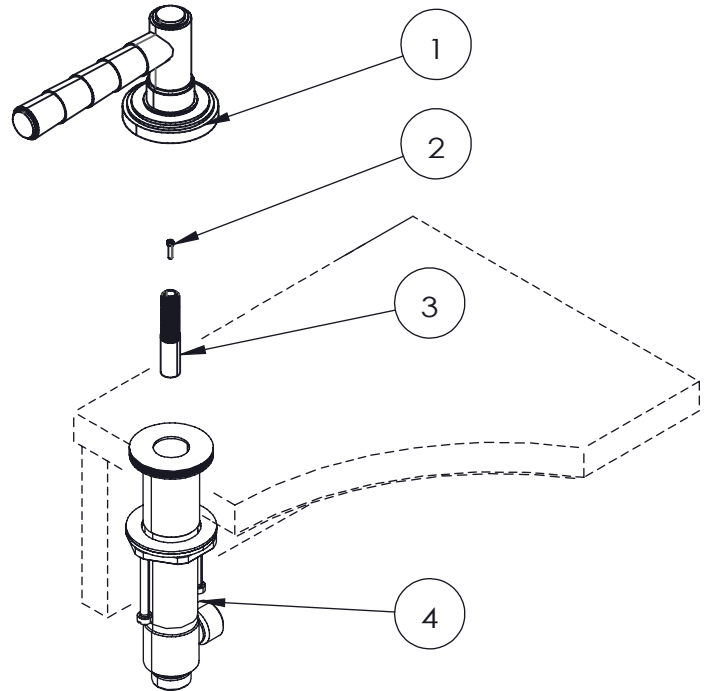
1. THREAD BOTTOM MOUNTING NUT (3) ONTO COLD END VALVE (1-MARKED WITH BLUE LABEL).

2. SLIDE METAL WASHER (4) AND RUBBER GASKET(5) ONTO END VALVE(1), THEN PLACE END VALVE(1) UP THROUGH DECK FROM BELOW.

3, THREAD SHANK(6) INTO FLANGE(8) AND MOUNT SHANK ONTO END VALVE(1) FROM ABOVE THE DECK. MAKE SURE RUBBER GASKET(7) PLACE IN THE GROOVE OF FLANGE(8). TIGHTEN THE FLANGE(8) AND END VALVE(1) WITH WRENCH.

## HANDLE INSTALLATION

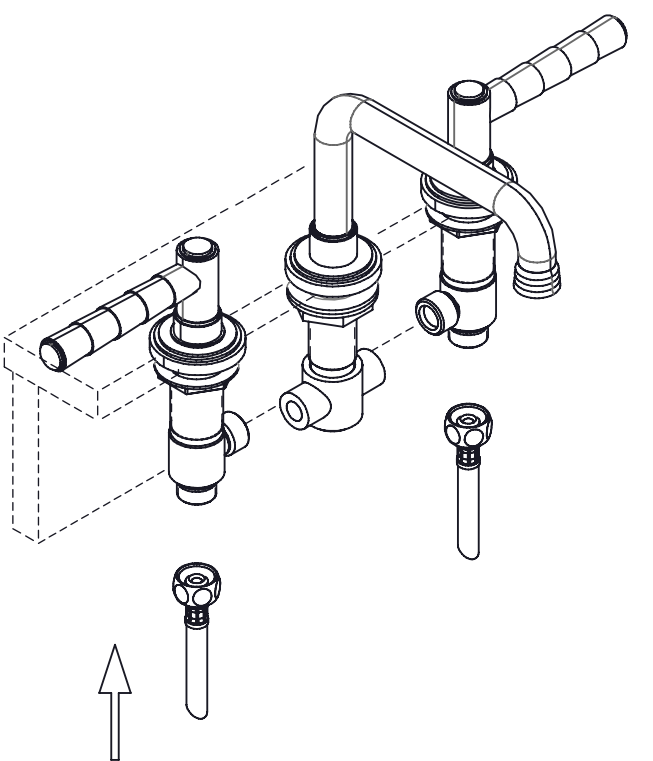
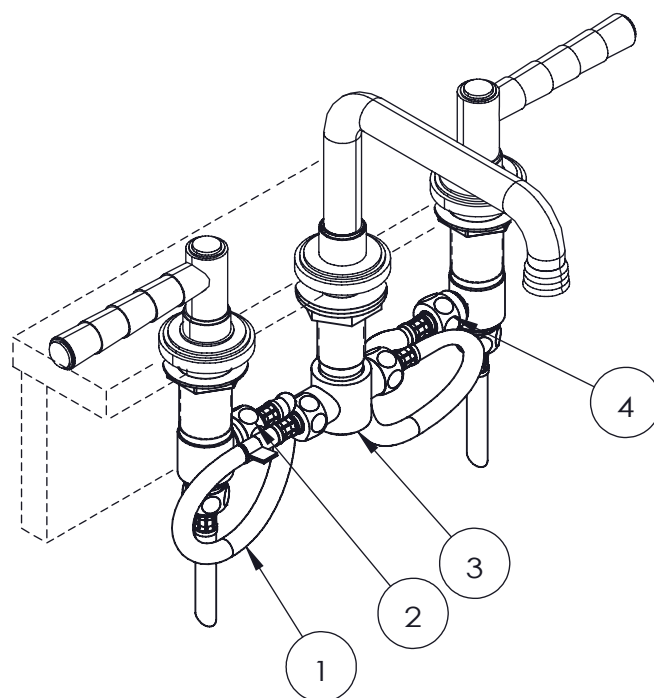
4



1. SLIDE STEM(3) ONTO VALVE(4) AND SECURE WITH SCREW(2).

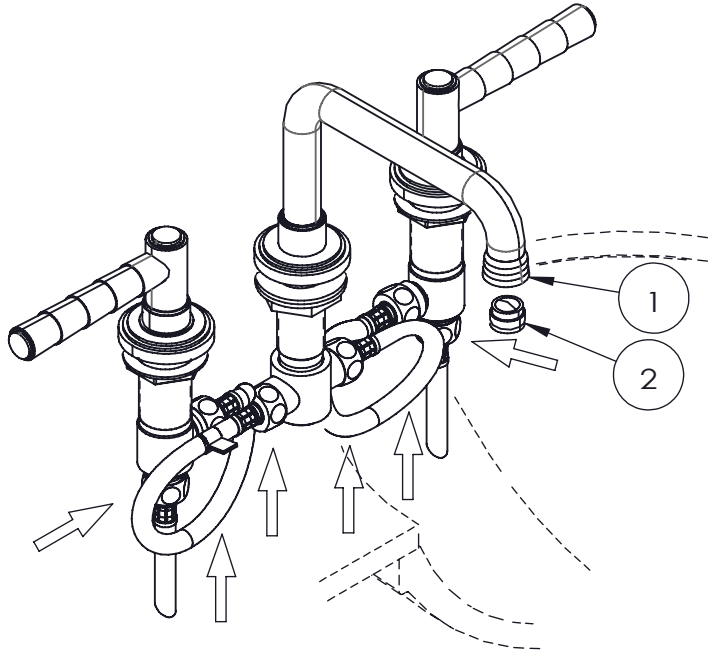
2. THREAD HANDLE ONTO FANGE AND TIGHTEN BY HAND.

# WATER SUPPLY CONNECTION

5	6
	
<p>1. MAKE CONNECTIONS TO WATER SUPPLY LINES.(SUPPLY LINES NOT INCLUDED.)</p>	<p>1. CONNECT INCLUDED SUPPLY HOSES(1) TO SPOUT INLET TEE(2) AND BOTH END VALVES(3). HAND THIGHTEN HOSE CONNECTIONS PLUS 1/4 TURN WITH A WRENCH.</p>

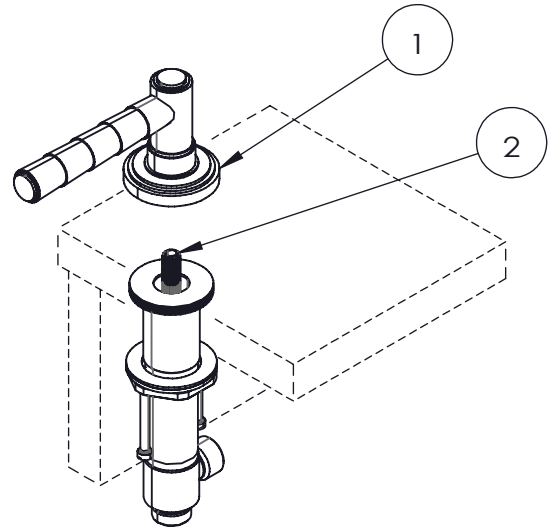
# FLUSHING SYSTEM

9



1. REMOVE AERATOR(2) FROM SPOUT TIP(1).
2. TURN FAUCET HANDLES TO FULL OPEN POSITION AND FLUSH LINES. CHECK ALL CONNECTIONS AT ARROWS FOR LEAKS. RETIGHTEN CONNECTIONS IF NECESSARY.
3. REINSTALL AERATOR(2) INTO SPOUT TIP(1).

# CARTRIDGE REPLACEMENT



1. REMOVE HANDLE ASSEMBLY(1).
2. USING 3/4" SOCKET (NOT SUPPLIED), UNTHREAD CARTRIDGE (2) FROM BODY.
3. USING 3/4" SOCKET, INSTALL NEW CARTRIDGE INTO VALVE BODY.

# DECKMOUNT BASIN/TUB SET PARTS LIST

ITEM	PART NUMBER	DESCRIPTION
1	27069	HOUSING CAPTIVE
2	12172	O RING
3	10200	SHANK
4	20975	2-56 SCREW
5	29558	50MM EXTEND STEM
6	CART-1/2-RH	CARTRIDGE - HOT
	CART-1/2-LH	CARTRIDGE - COLD
7	10583	END VALVE MOUNTING KIT
8	13053	VALVE BODY
9	27929	TEE CONNECTOR
10	27930	RUBBER GASKET
11	11745	SPOUT MOUNTING KIT
12	11500	HOSE - 1/2"
13	11557	WASTE
14	15042	SET SCREW
15	26526	NIPPLE
16	22617	AERATOR
17	10018	RUBBER GASKET

