

SHERLE



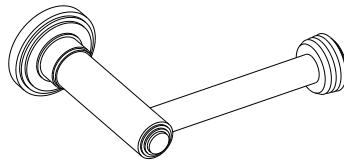
WAGNER
INTERNATIONAL

INSTALLATION GUIDE

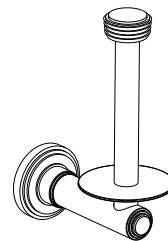
**KEYSTONE / DORIAN
BATH ACCESSORIES**



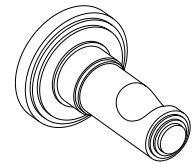
TOWEL RING



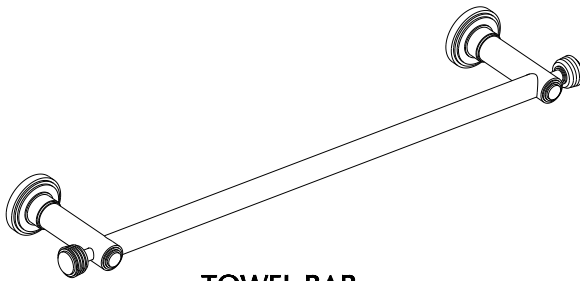
PAPER
HOLDER



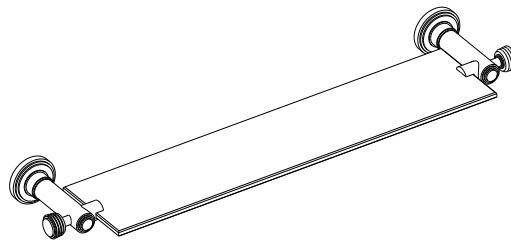
VERTICAL
PAPER HOLDER



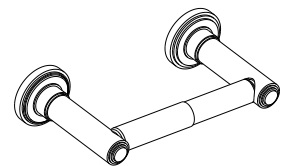
ROBE HOOK



TOWEL BAR



SHELF

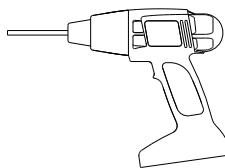


DOUBLE POST
PAPER HOLDER

Installation tools that may be needed:



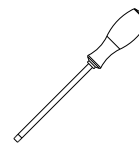
Pencil



Power Drill



Level



#2 Phillips
Screwdriver

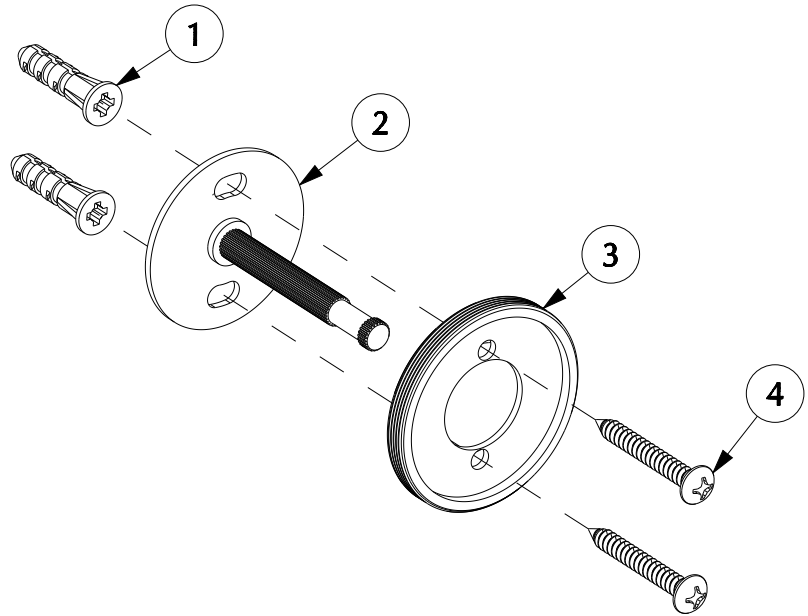
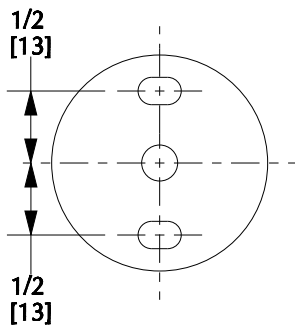


Hex Keys

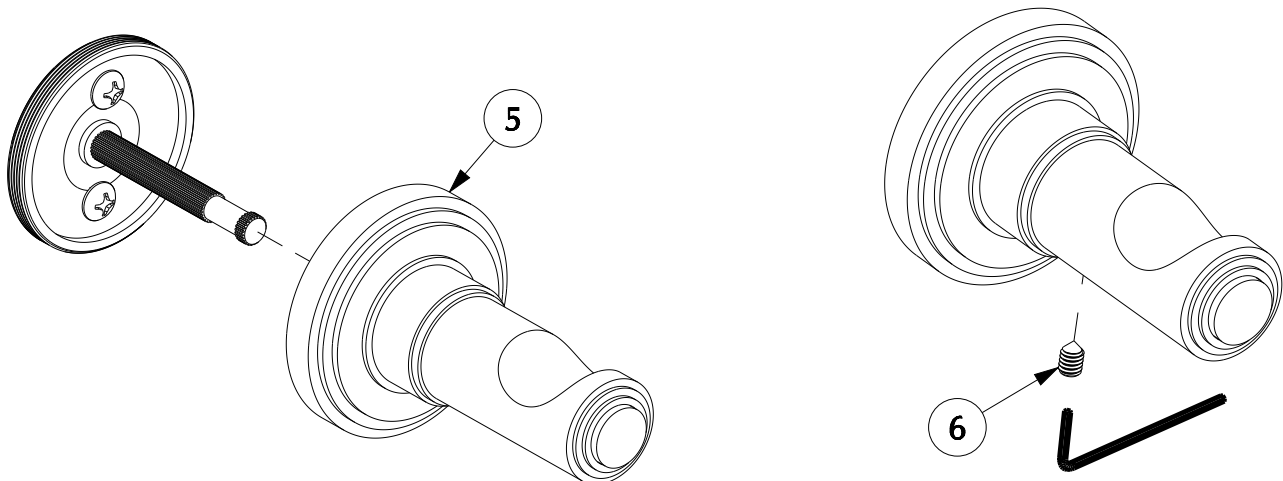
SINGLE POST ACCESSORIES

Note: Anchors provided will work for drywall, tile or stone, but may not be suitable for all wall surfaces. Be sure to use screws and anchors that are appropriate for the wall.

1. Determine mounting location of accessory. Hold Mounting Plate Stud (2) in position with holes oriented vertically and mark hole locations with a pencil. Set Plate aside.
2. Drill 3/16" pilot holes at the marked locations.
3. Insert supplied wall anchors (1) into pilot holes and lightly tap with hammer until flush to wall surface.
4. Position Captive Plate (3) onto Mounting Plate Stud (2) and install screws (4) with screwdriver. Do not tighten fully, as a slight adjustment to the rotation may be necessary to ensure proper orientation.



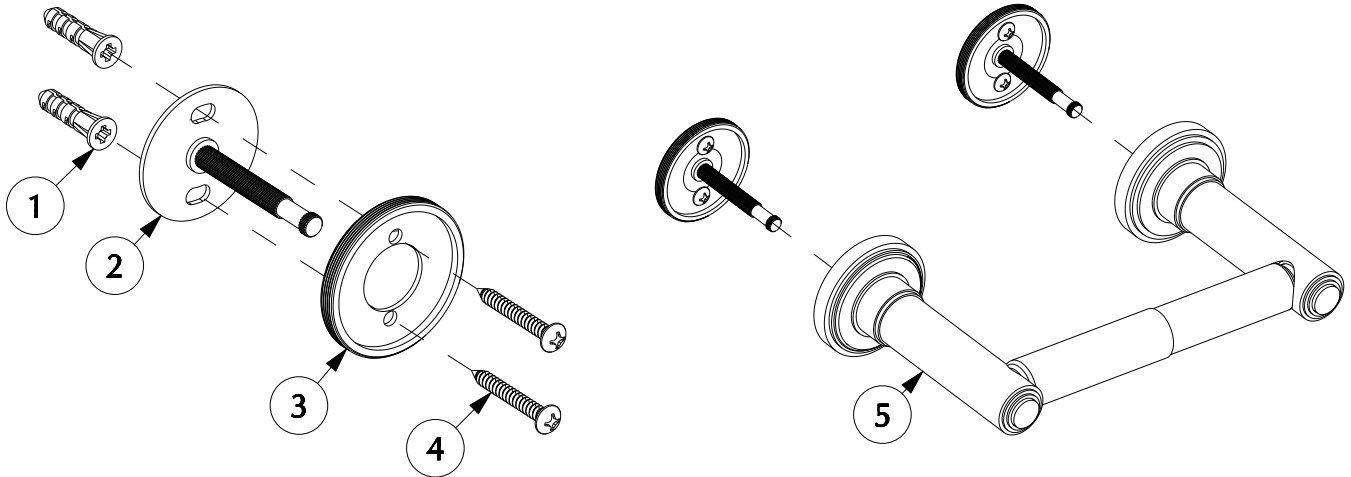
5. Slide Accessory Assembly (5) onto Mounting Plate Stud (2) and adjust rotation until oriented correctly. When satisfied, remove Accessory Assembly from stud and tighten screws fully.
6. Slide Accessory Assembly (5) onto tightened Mounting Plate Stud (2), verify orientation, and screw the escutcheon onto the Captive Plate (3), until seated firmly against wall.
7. Secure Accessory Assembly to Stud with set screw (6).



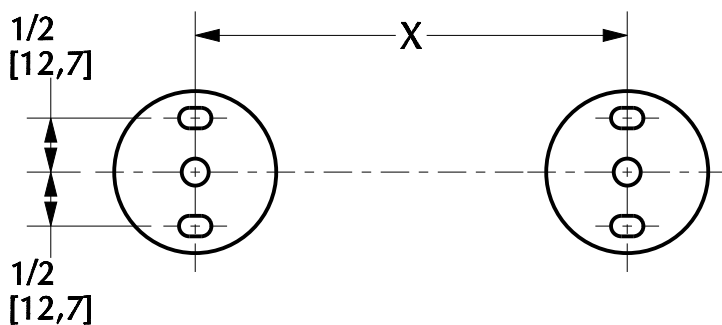
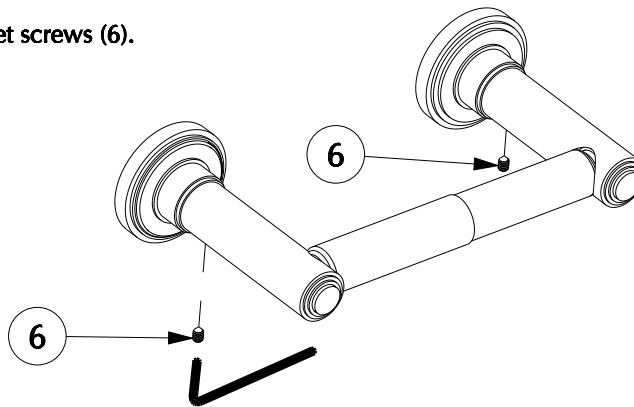
DOUBLE POST ACCESSORIES

Note: Anchors provided will work for drywall, tile or stone, but may not be suitable for all wall surfaces. Be sure to use screws and anchors that are appropriate for the wall.

1. Refer to the chart below to find the Center to Center distance (X) required for the product being installed.
2. Mark center of stud locations on wall with a pencil. Use a level for horizontal precision. Hold Mounting Plate Stud (2) in position with holes oriented vertically and mark hole locations with a pencil. Set plate aside.
3. Drill 3/16" pilot holes at the marked hole locations.
4. Insert supplied wall anchors (1) into pilot holes and lightly tap with hammer until flush to wall surface.
5. Position Captive Plate (3) onto Mounting Plate Stud (2) and install screws (4) with screwdriver. Do not tighten fully, as a slight adjustment to the rotation may be necessary to ensure proper orientation. Repeat for other side.



6. Slide Accessory Assembly (5) onto Mounting Plate Studs (2) and adjust rotation until oriented correctly. When satisfied, remove Assembly from studs and tighten screws (4) fully.
7. Slide Accessory Assembly (5) onto tightened Mounting Plate Studs (2), verify orientation, and screw the escutcheons onto the Captive Plates (3), until both are seated firmly against wall.
8. Secure Accessory Assembly to Studs with set screws (6).



X	ACCESSORY
18" [457 mm]	18" TOWEL BAR / SHELF
24" [609 mm]	24" TOWEL BAR / SHELF
30" [762 mm]	30" TOWEL BAR / SHELF
6" [152 mm]	DOUBLE POST PAPER HOLDER