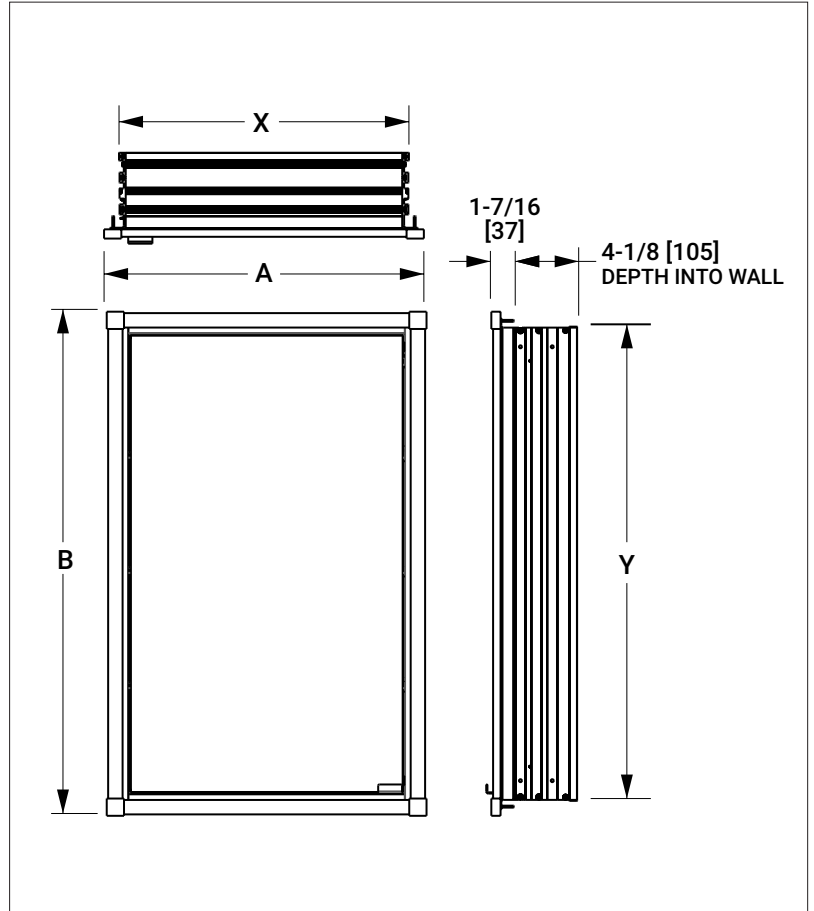


SHERLE WAGNER INTERNATIONAL

SQUARE KNUCKLE MEDICINE CABINET 4250



PRODUCT FEATURES

- o Available in all Sherle Wagner International finishes
- o Solid brass/bronze construction
- o Includes mounting hardware
- o Specify left or right hand door opening for Singles
- o In wall cabinet with mirrored doors

| SIZES | CODE | A | B | WALL OPENING | |
|---------------|---------------|---------------|---------------|--------------|----------|
| | | | | X | Y |
| SMALL SINGLE | 4250C21-ZZ-XX | 20-7/8 [530] | 32-7/8 [835] | 19 [533] | 31 [787] |
| MEDIUM SINGLE | 4250C25-ZZ-XX | 24-7/8 [632] | 32-7/9 [835] | 23 [584] | 31 [787] |
| 3 DOORS | 4250C-TW-XX | 46-7/8 [1216] | 32-7/11 [835] | 45 [1143] | 31 [787] |

AVAILABLE METAL FINISHES

| | | | | | |
|--------------------|---------------------|----------------|-------------------|-------------------|---------------------------|
| PN Polished Nickel | SB Satin Brass | GP Gold Plate | ES English Silver | BE Black Eclipse | SP Satin Platinum |
| CP Polished Chrome | OB Oil Rubbed Brass | AL Almond Gold | BS Butler Silver | BG Burnished Gold | HP High Polished Platinum |
| BN Brushed Nickel | PB Polished Brass | RG Rose Gold | AP Antique Pewter | AG Antique Gold | BP Burnished Platinum |
| BC Brushed Chrome | | | | | |