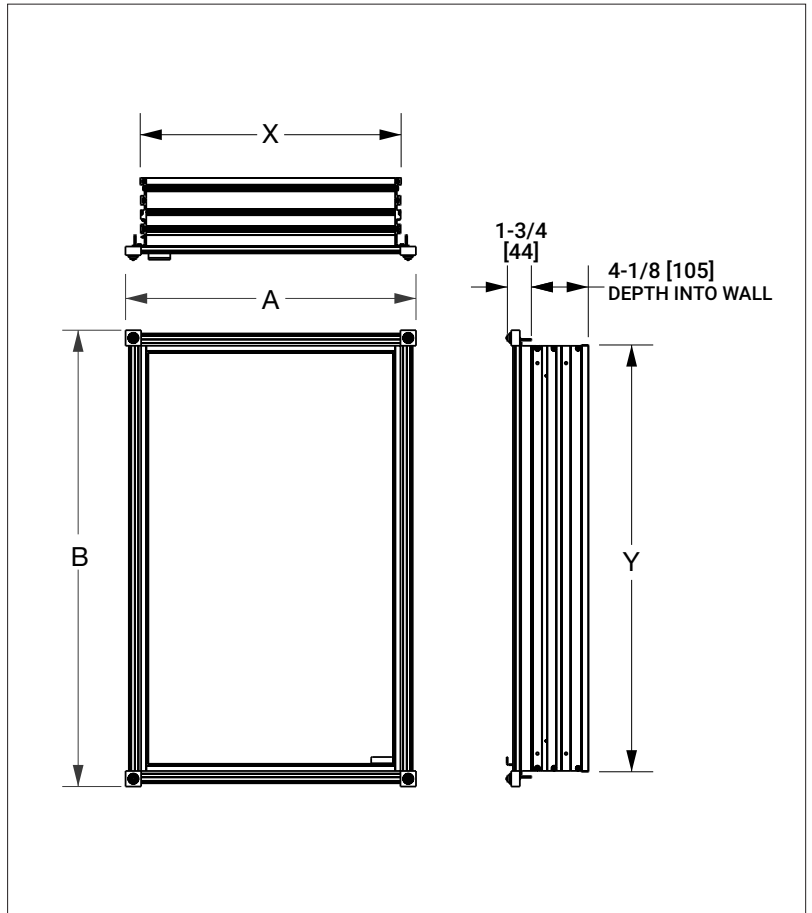


SHERLE WAGNER INTERNATIONAL

REEDED WITH ROSETTE MEDICINE CABINET 4256



PRODUCT FEATURES

- o Available in all Sherle Wagner International finishes
- o Solid brass/bronze construction
- o Includes mounting hardware
- o Specify left or right hand door opening for Singles
- o In wall cabinet with mirrored doors

SIZES	CODE	A	B	WALL OPENING	
				X	Y
SMALL SINGLE	4256C21-ZZ-XX	20-7/8 [530]	32-7/8 [835]	19 [533]	31 [787]
MEDIUM SINGLE	4256C25-ZZ-XX	24-7/8 [632]	32-7/9 [835]	23 [584]	31 [787]
3 DOORS	4256C-TW-XX	46-7/8 [1216]	32-7/11 [835]	45 [1143]	31 [787]

AVAILABLE METAL FINISHES

PN Polished Nickel	SB Satin Brass	GP Gold Plate	ES English Silver	BE Black Eclipse	SP Satin Platinum
CP Polished Chrome	OB Oil Rubbed Brass	AL Almond Gold	BS Butler Silver	BG Burnished Gold	HP High Polished Platinum
BN Brushed Nickel	PB Polished Brass	RG Rose Gold	AP Antique Pewter	AG Antique Gold	BP Burnished Platinum
BC Brushed Chrome					