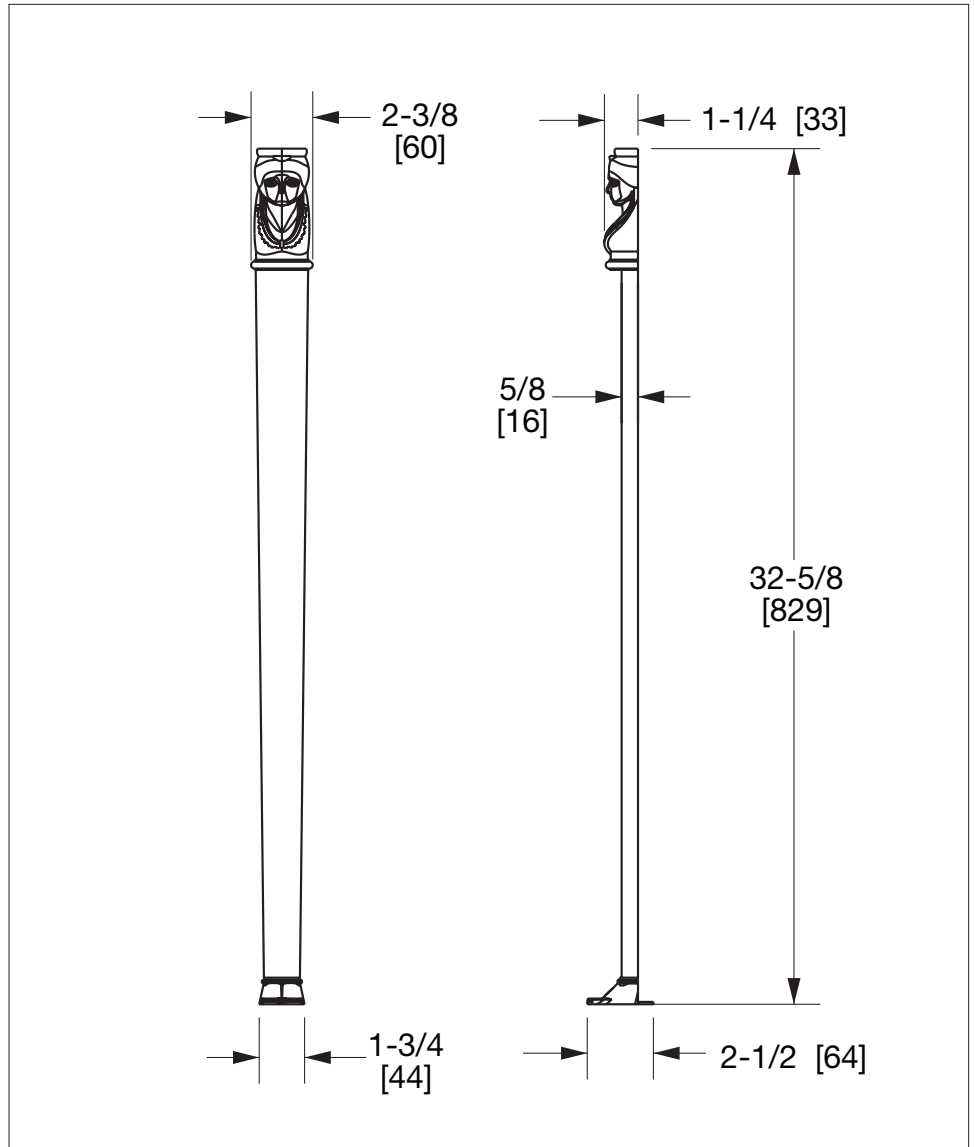


Empire Leg 4751-XX

Empire Leg in contrasting finish 4751-XX-XX



PRODUCT FEATURES

Available in all Sherle Wagner International finishes

Solid brass/bronze construction

Includes mounting hardware

Surface mount

Legs are sold individually

For custom heights contact SWI representative

AVAILABLE METAL FINISHES

PN Polished Nickel

OB Oil Rubbed Brass

BE Black Eclipse

GP Gold Plate

BG Burnished Gold

SP Satin Platinum

CP Polished Chrome

SB Satin Brass

RB Raven Black

AL Almond Gold

AG Antique Gold

HP High Polished Platinum

BN Brushed Nickel

PB Polished Brass

ES English Silver

RG Rose Gold

AP Antique Pewter

BP Burnished Platinum

BC Brushed Chrome

UB Unlacquered Brass*

BS Butler Silver

* Available on specific collections only