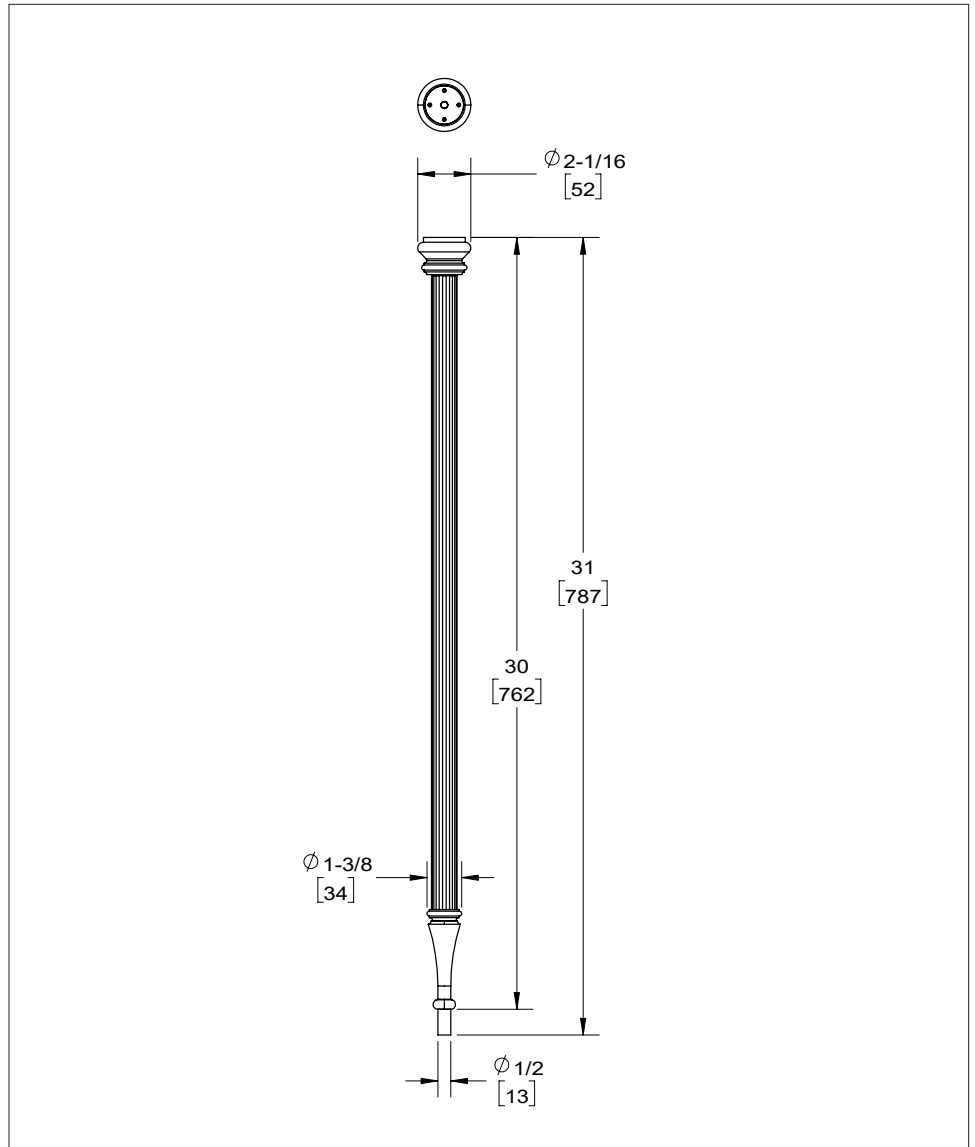
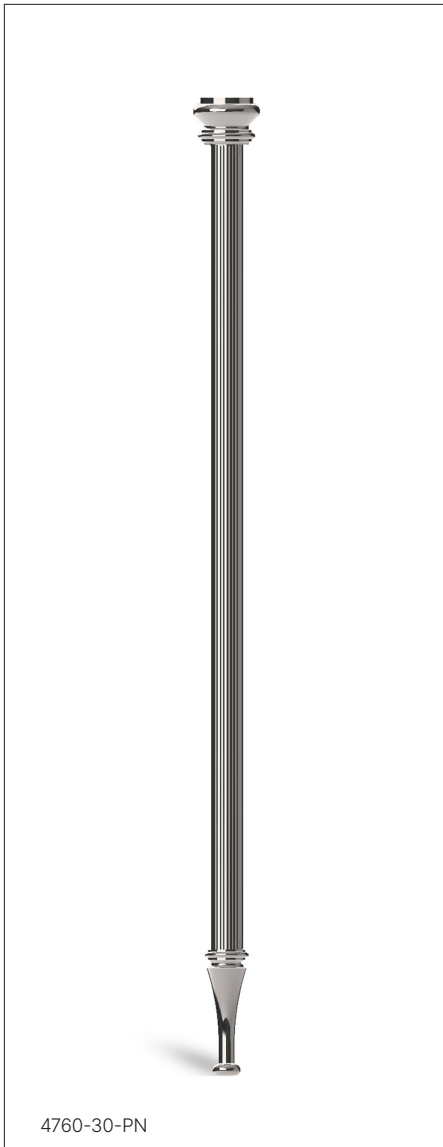


Reeded Leg 4760-30-XX



PRODUCT FEATURES

- Available in all Sherle Wagner International finishes
- Solid brass/bronze construction
- Includes mounting hardware
- Under edge mount
- Legs are sold individually
- For custom heights contact SWI representative

AVAILABLE METAL FINISHES

PN Polished Nickel	OB Oil Rubbed Brass	BE Black Eclipse	GP Gold Plate	BG Burnished Gold	SP Satin Platinum
CP Polished Chrome	SB Satin Brass	RB Raven Black	AL Almond Gold	AG Antique Gold	HP High Polished Platinum
BN Brushed Nickel	PB Polished Brass	ES English Silver	RG Rose Gold	AP Antique Pewter	BP Burnished Platinum
BC Brushed Chrome	UB Unlacquered Brass*	BS Butler Silver			

* Available on specific collections only