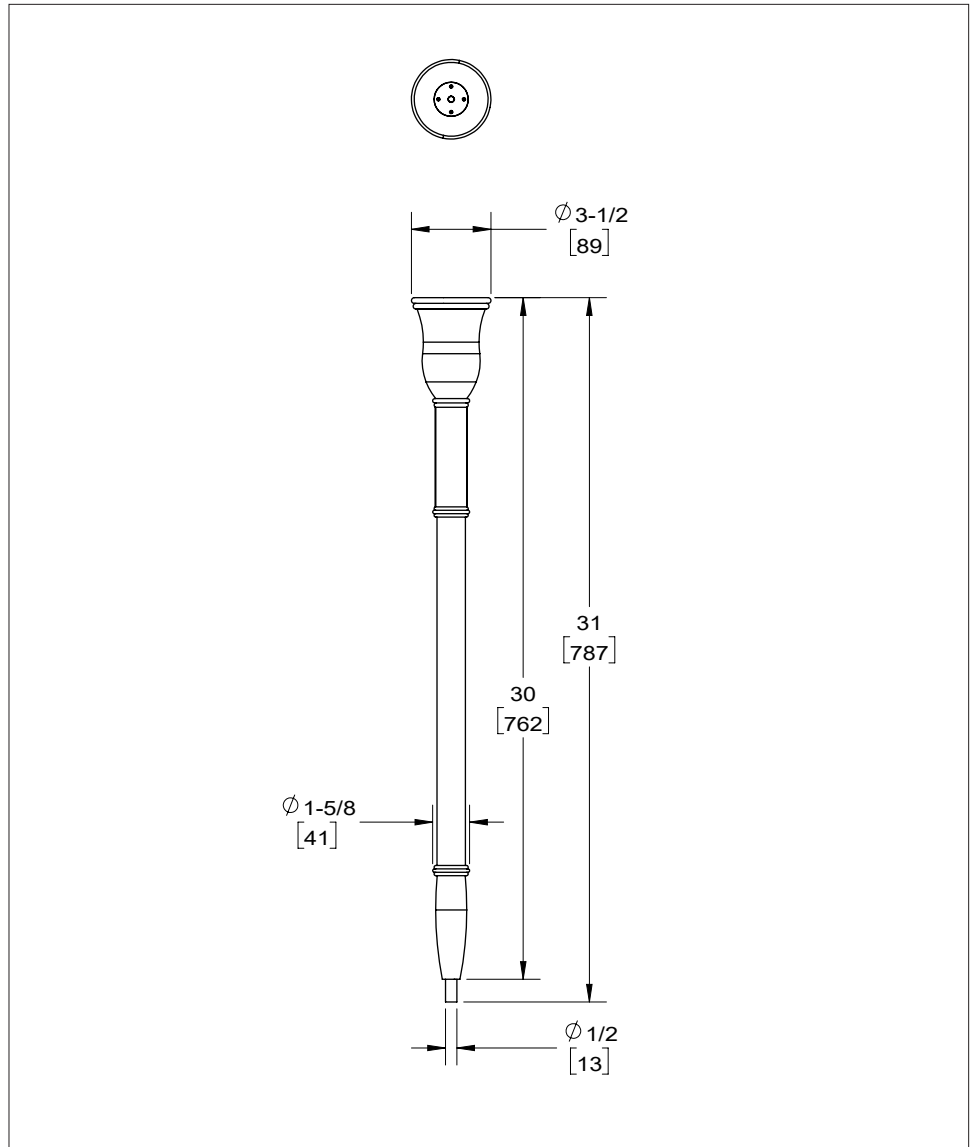
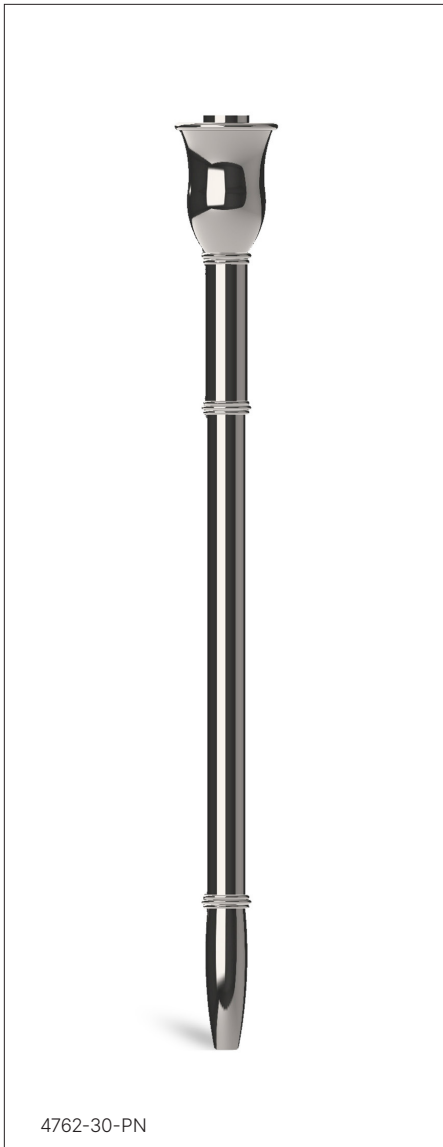


## Grey Leg 4762-30-XX



### PRODUCT FEATURES

- Available in all Sherle Wagner International finishes
- Solid brass/bronze construction
- Includes mounting hardware
- Under edge mount
- Legs are sold individually
- For custom heights contact SWI representative

### AVAILABLE METAL FINISHES

|                    |                       |                   |                |                   |                           |
|--------------------|-----------------------|-------------------|----------------|-------------------|---------------------------|
| PN Polished Nickel | OB Oil Rubbed Brass   | BE Black Eclipse  | GP Gold Plate  | BG Burnished Gold | SP Satin Platinum         |
| CP Polished Chrome | SB Satin Brass        | RB Raven Black    | AL Almond Gold | AG Antique Gold   | HP High Polished Platinum |
| BN Brushed Nickel  | PB Polished Brass     | ES English Silver | RG Rose Gold   | AP Antique Pewter | BP Burnished Platinum     |
| BC Brushed Chrome  | UB Unlacquered Brass* | BS Butler Silver  |                |                   |                           |

\* Available on specific collections only