

SHERLE WAGNER INTERNATIONAL

KITCHEN - BAR DRAIN ASSEMBLY WSTE-KTC-XX

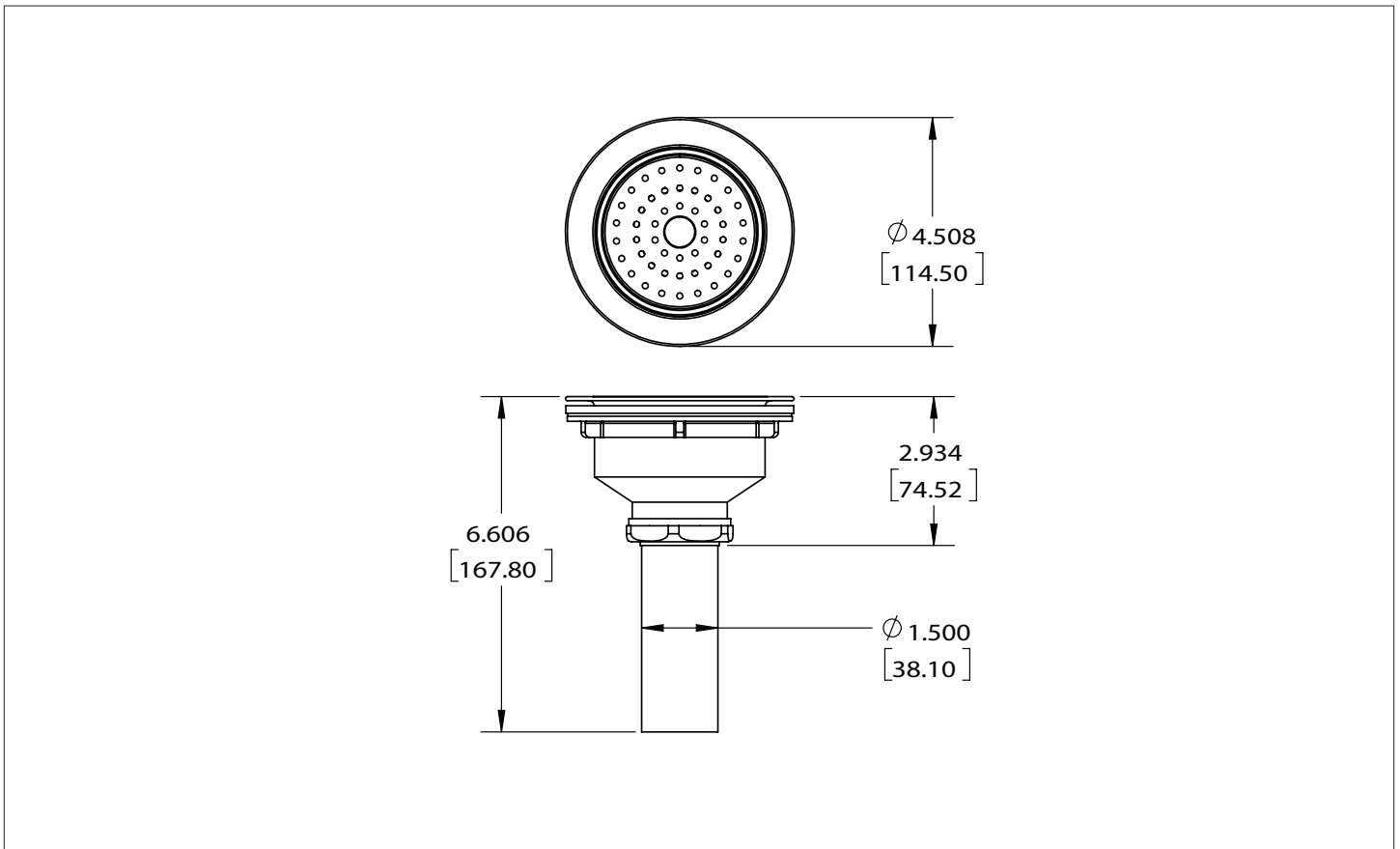


PRODUCT FEATURES

- o Available in all Sherle Wagner International finishes
- o Solid brass/bronze construction

AVAILABLE METAL FINISHES

PN Polished Nickel	SB Satin Brass	GP Gold Plate	ES English Silver	BE Black Eclipse	SP Satin Platinum
CP Polished Chrome	OB Oil Rubbed Brass	AL Almond Gold	BS Butler Silver	BG Burnished Gold	HP High Polished Platinum
BN Brushed Nickel	PB Polished Brass	RG Rose Gold	AP Antique Pewter	AG Antique Gold	BP Burnished Platinum
BC Brushed Chrome					



The measurements shown are for reference only. Products and specifications shown are subject to change without notice.

Rev C